



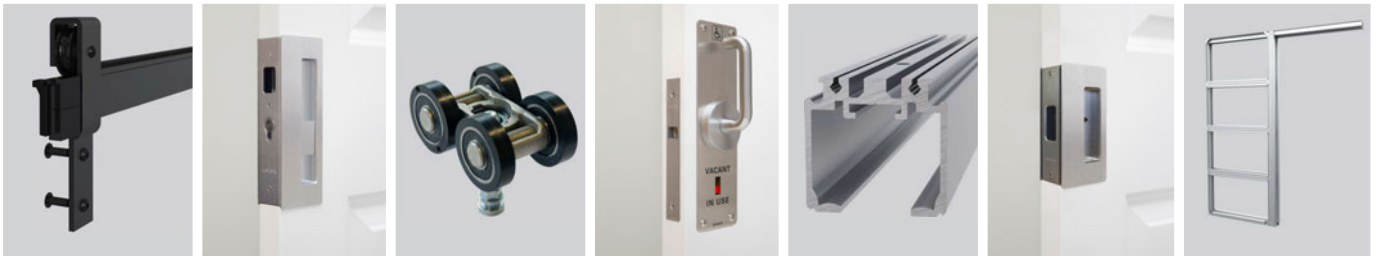
# CavitySliders<sup>®</sup>

The Pocket Door Experts



## Specification Guide

[www.cavitysliders.com](http://www.cavitysliders.com)





The Pocket Door Experts

## CavitySliders™

Pocket frames for interior sliding doors

1

---

## TrackSystems

Barn door and top mounted track systems for sliding doors

2

---

## CaviLock®

Handles and locks for sliding and pocket doors. Commercial, architectural and residential

3

---

## CaviLock® ADA Hardware

ADA handles and locks for sliding and pocket doors

4

---

## AutomaticUnits

Automated sliding doors

5

---

### Cavity Sliders USA Inc.

#### Showroom

548 Finney Ct  
Gardena  
CA 90248

T (888) 466 0030  
F (310) 769 5824  
E [info@cavitysliders.com](mailto:info@cavitysliders.com)

[www.cavitysliders.com](http://www.cavitysliders.com)

# Introduction

Cavity Sliders USA Inc is the premier manufacturer of sliding door hardware. With strict attention to detail from design through to production, Cavity Sliders offers a product line that is high quality, reliable and operates smoothly.

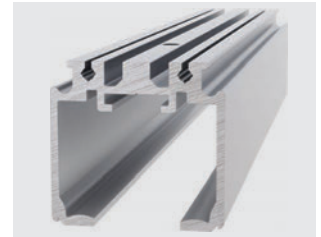
From humble beginnings in New Zealand as a family business, Cavity Sliders has grown to become a world leader in the supply of sliding door hardware. With branches throughout North America, Australia and New Zealand, Cavity Sliders is committed to upholding the quality level of its existing product line. Emphasis is also placed on developing new products to meet the changing trends of the modern market.



## CavitySliders™ Pocket Frame

The **CS Cavity Slider™** is a kitset pocket frame suitable for residential and commercial projects. It is constructed from aluminum extrusions, making it structurally robust. The frame can be cut down to suit your door size and it is quick and easy to assemble. Suitable for 1-3/8" or 1-3/4" doors and available with or without soft close.

Fully automated pocket systems are also available.



CS CaviTrack

## TrackSystems

CS Track Systems is a range of high quality tracks to cater to your interior sliding applications. The integrity of our tracks is derived from their heavy duty aluminum extrusions. These systems have been engineered to offer reliable and incredibly smooth operation time after time.

CS Track Systems work perfectly with our carriages and other components, allowing you to supply and specify these products with confidence. Whether it be a barn sliding, multi-profile, bypass or pocket application, CS Track Systems have a first-class option to satisfy your requirements.



CS Barn Door Track with hanger brackets and stops.

## CaviLock®

Cavity Sliders USA Inc. provides a complete range of hardware specifically designed for use on pocket doors. From high quality commercial grade ADA compliant locks for restrooms through to residential privacy locks, CaviLock has a handle that will suit your purpose.

The plant has the capacity to meet large orders as well as custom, small scale production runs.



CL400 Privacy (Snib/Emergency) Satin Chrome finish


# CavitySlider™ Pocket Frame

The **CS Cavity Slider™** is a practical solution for those areas where there is not enough space for a swinging door. Unlike other pocket systems, the CS Cavity Slider™ is structurally robust due to its construction from aluminum extrusions.

This product is supplied as a kitset and is easy to assemble and install. The pocket frame accommodates 1-3/8" and 1-3/4" doors (35mm and 44.5mm) up to 4'0" x 8'0" (1220 x 2438mm) and can be cut down to size on site.

The CS Cavity Slider™ is suitable for residential and commercial projects as it meets Type 1 construction code without any combustible materials. In addition to its space saving attributes in restrooms, hallways and laundries, it can be used with confidence for architectural feature openings around your project.



**AVAILABLE WITH:**  
 **SofStop®** Soft Close / Soft Open

*Bi-Parting CS Cavity Sliders™ with wooden doors.*



*CS Cavity Sliders™ with glazed aluminum doors and CL100 ADA LaviLock handles.*



*CS Cavity Slider™ kitset box.*

# CavitySlider™ Features

**Corner joining brackets** ensure precise right angled assembly

**Smooth running carriages** with encased ball bearings. Up to 500lb (240kg) capacity  
**SofStop®** Soft Close/Soft Open also available

**Split Jamb and slats** use hollow core technology for superior rigidity

**Horizontal slats** for added strength

**Door Thickness** 1-3/8" or 1-3/4" (35 or 44.5mm)

**Extruded aluminum track** incorporated into head unit

**Strong aluminum frame** complies with *Type 1 Construction*

**T-joining brackets** for easy assembly of slats to split jambs & back stud

**Trim Clips** for quick & easy trim fitting

**Compatible** with 3-1/2" and 3-5/8" wood or steel stud

**Bottom plate assembly**

**Adjustable T-Guide**

Patent Pending



Cycle tested 1 million openings



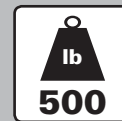
ADA compliant



Available with SofStop®



Single or Bi-Parting units

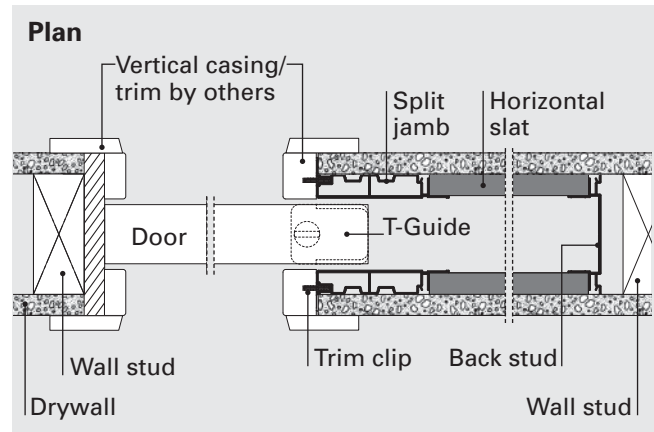
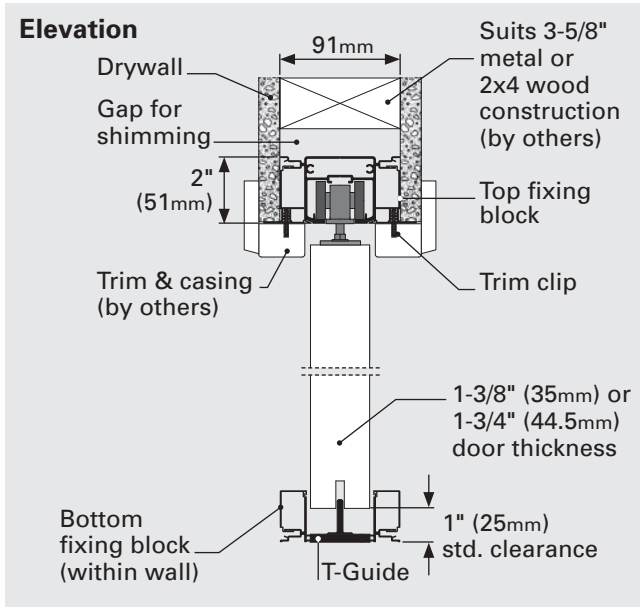


Maximum door weight

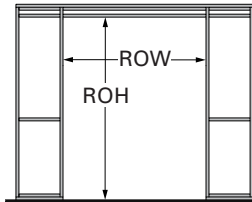


Easy assembly

# CavitySlider™ Technical Info



## Rough Opening



DH = Door Height  
DW = Door Width

## Standard CS Track Features

Our engineers focus on constantly developing new products and refining existing ones. That's why our products come with a number of unique features:

- 1 Heavy duty one-piece extruded aluminum track.
- 2 Minimal clearance means the carriages/wheels cannot jump off the track or jam.
- 3 Large diameter wheels with precision ground bearings make for smooth running.
- 4 Radiused track reduces friction and allows dust to be pushed into the gutters so the door always slides smoothly.
- 5 M8 body made from cast stainless steel for strength and reliability. 4-wheel carriages are standard on all doors over 200lb.
- 6 CarriSnap™ quick release system allows the door to be removed easily from the track; no need to unscrew anything and lose door height adjustment.



## How to Order

### 1. Choose Size

Frames can be cut down on site. Maximum size for each model shown below:

Model	Max Door Size (in)	Max Door Size (mm)
CS 3068	3'0" x 6'8"	914 x 2032mm
CS 3080	3'0" x 8'0"	1066 x 2438mm
CS 4080	4'0" x 8'0"	1219 x 2438mm

2. Choose a carriage pack (one per door) (includes carriages, mounting plates, T-Guide, fixing screws and adjusting wrench)  
Packs are available with 0, 1 or 2 track stops.

Standard	M6 (200lb/90kg)	
	M8 (500lb/240kg)	
SofStop® Single Soft Close	Minimum Door Width	
	No stop	1 Stop
0 - 176 lb (80kg)	25" (635mm)	28" (711mm)
176 - 264 lb (120kg)	28" (711mm)	31" (787mm)
SofStop® Twin	Minimum Door Width	
	No stop	1 Stop
0 - 176 lb (80kg)	33" (840mm)	36" (914mm)

© All copyright and other property in this document is reserved by Cavity Sliders USA Inc. Details and specifications are subject to change without notice. Whilst all care is taken to ensure the accuracy of all information, no responsibility will be accepted for any errors or omissions. CS Cavity Slider. 61213 - 07.2019

[www.cavitysliders.com](http://www.cavitysliders.com)

High quality frames made in USA



T (888) 466 0030  
F (310) 769 5824  
E [info@cavitysliders.com](mailto:info@cavitysliders.com)


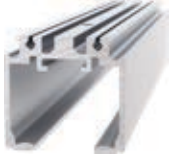
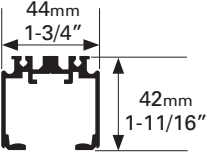

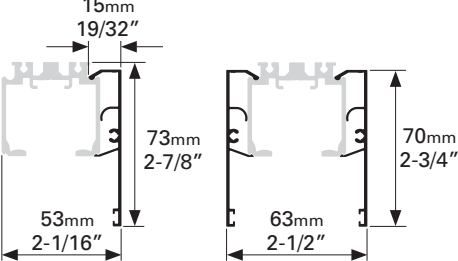


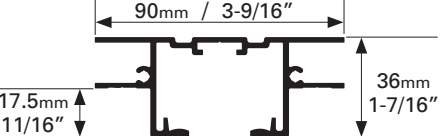

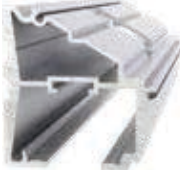
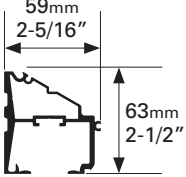

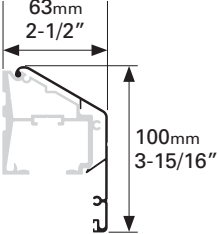

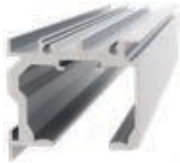
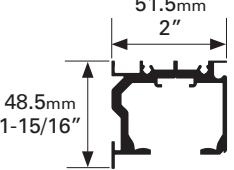

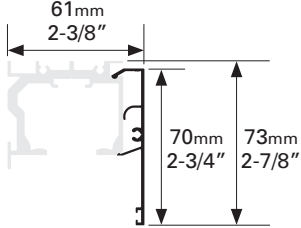
Cavity Sliders USA Inc.

548 Finney Ct  
Gardena  
CA 90248



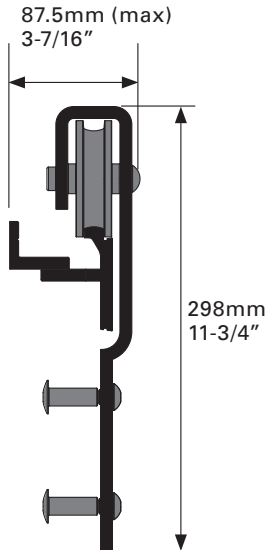


Another quality product from:

CavitySliders™  
The Pocket Door Experts

# CS Track Systems - Quick Reference

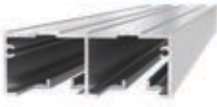
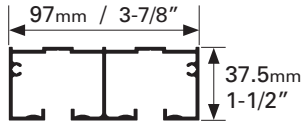

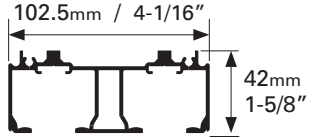
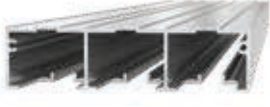
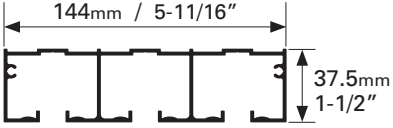
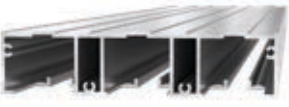
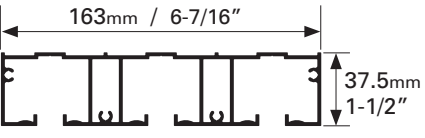
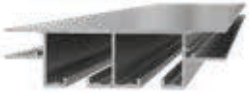
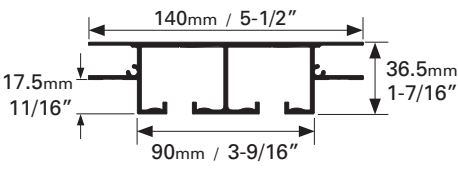

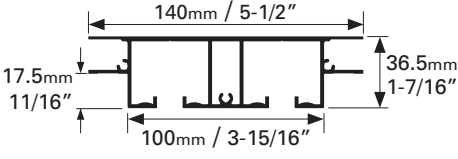
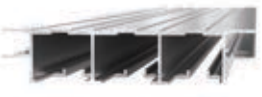
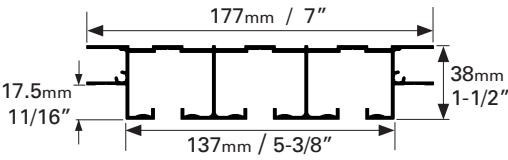

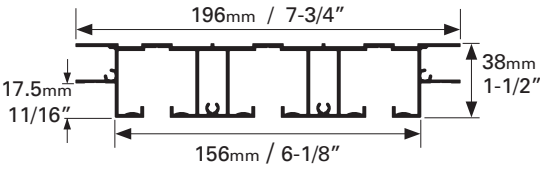

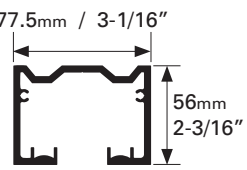

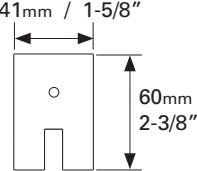
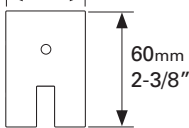
Description	Image	Dimensions
<p>CS CaviTrack</p> <p>(Available in custom lengths up to 24ft)</p> <p> SofStop COMPATIBLE</p>		
<p>Clip on fascia for CS CaviTrack</p> <p>Clear or Bronze Anodized</p> <p>(Available in custom lengths up to 24ft)</p>		
<p>CS FH-Ceiling Mount Track - Single</p> <p>(Available in custom lengths up to 24ft)</p> <p> SofStop COMPATIBLE</p>		
<p>CS WallMount Track</p> <p>1-3/8" &amp; 1-3/4" door thickness</p> <p>For thicker doors, please inquire</p> <p>(Available in custom lengths up to 24ft)</p> <p> SofStop COMPATIBLE</p>		
<p>Clip on fascia for CS WallMount Track</p> <p>Clear or Bronze Anodized</p> <p>(Available in custom lengths up to 24ft)</p>		
<p>CS CaviTrack Side Mount</p> <p>1-3/8" &amp; 1-3/4" door thickness</p> <p>For thicker doors, please inquire</p> <p>(Available in custom lengths up to 24ft)</p> <p> SofStop COMPATIBLE</p>		
<p>Clip on fascia for CS CaviTrack Side Mount</p> <p>Clear or Bronze Anodized</p> <p>(Available in custom lengths up to 24ft)</p>		

# CS Track Systems - Quick Reference

Description	Image	Dimensions
<p>CS Barn Door Track</p> <p>(Available in set lengths up to 19ft)</p> <p> SofStop COMPATIBLE</p>		
<p>CS Barn Door Hangers &amp; Stops Pack</p>		
<p>SofStop 264 lb Single Pack for CS Barn Door Track</p>		



# CS Track Systems - Quick Reference

Description	Image	Dimensions
CS Top Mount Track - Double 1-3/8" door thickness  (Available in custom lengths up to 24ft)		 97mm / 3-7/8" 37.5mm 1-1/2"
CS Top Mount Track - Double 1-3/4" door thickness  (Available in custom lengths up to 24ft)		 102.5mm / 4-1/16" 42mm 1-5/8"
CS Top Mount Track - Triple 1-3/8" door thickness  (Available in custom lengths up to 24ft)		 144mm / 5-11/16" 37.5mm 1-1/2"
CS Top Mount Track - Triple 1-3/4" door thickness  (Available in custom lengths up to 24ft)		 163mm / 6-7/16" 37.5mm 1-1/2"
CS FH-Ceiling Mount Track - Double 1-3/8" door thickness  (Available in custom lengths up to 24ft)		 140mm / 5-1/2" 17.5mm 11/16" 36.5mm 1-7/16" 90mm / 3-9/16"
CS FH-Ceiling Mount Track - Double 1-3/4" door thickness  (Available in custom lengths up to 24ft)		 140mm / 5-1/2" 17.5mm 11/16" 36.5mm 1-7/16" 100mm / 3-15/16"
CS FH-Ceiling Mount Track - Triple 1-3/8" door thickness  (Available in custom lengths up to 24ft)		 177mm / 7" 17.5mm 11/16" 38mm 1-1/2" 137mm / 5-3/8"
CS FH-Ceiling Mount Track - Triple 1-3/4" door thickness  (Available in custom lengths up to 24ft)		 196mm / 7-3/4" 17.5mm 11/16" 38mm 1-1/2" 156mm / 6-1/8"
CS Heavy Duty Track  (Available in custom lengths up to 28ft)		 77.5mm / 3-1/16" 56mm 2-3/16"
CS Frameless Glass Clamp 3/8" glass thickness		 41mm / 1-5/8"
CS Frameless Glass Clamp 1/2" glass thickness		 60mm 2-3/8"

# Standard Components

## M6 Carriage

(up to 200lb per pair)



## M8 Carriage

(up to 500lb per pair)



## M10 Carriage

(up to 1100lb per pair)



## Carriages

- Large diameter wheels with precision ground bearings ensure smooth running and longevity.
- Self centering hanger bolt ensures the door hangs plumb.
- High performance nylon tires.
- Both M6 and M8 carriages are made to fit any of our standard track profiles.
- Hanger bolts allow for 5/16" vertical height adjustment using the wrench provided

## Mounting Plates

- CarriSnap™** quick release system allows the door to be installed or removed easily from the carriage without altering door height adjustment.
- Plastic stop on the mounting plate hits on the track stop in the track (not the carriage body like other products on the market).

## Components

### M6/M8 Mounting Plate



### M6/M8 Mounting Plate with Stop



### Track Stop



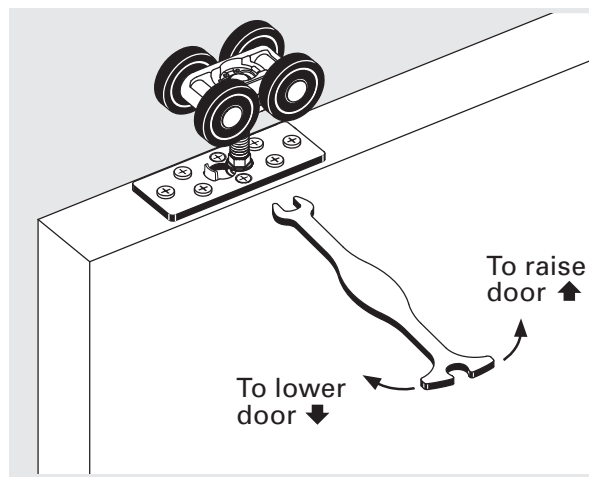
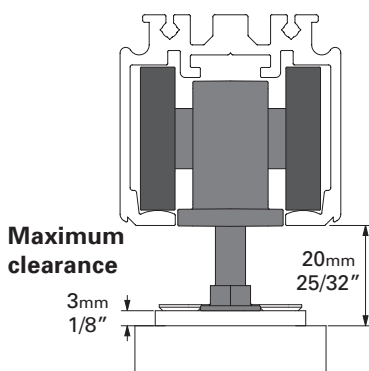
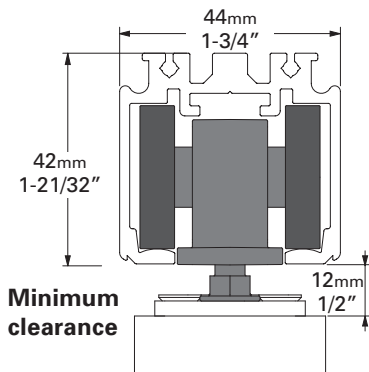
### Adjusting Wrench



### Black Plastic T Guide 23mm (7/8")



## Carriage Adjustment



Use adjusting wrench supplied to adjust door clearance

# CaviTrack™

**CS TrackSystems** are an innovative range of track systems designed for a multitude of sliding doorway applications.

**CS CaviTrack** is a smooth running low profile track system. Its versatility makes it popular for a range of opening types including pocket, barn, partition and multi-sliding applications. The clip on fascia is suitable for use in barn door and partition applications. CS CaviTrack is ideal where longevity of use and smooth operation are required.

The CaviTrack can be upgraded to SofStop® soft close. This is suitable for areas where quiet is required, such as bedrooms, offices and patient rooms.



**AVAILABLE WITH:**  
 SofStop® Soft Close / Soft Open

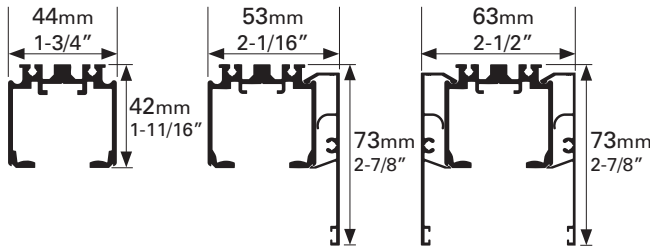
*CS CaviTrack in a heavy duty pocket frame.*



CS CaviTrack

 TrackSystems

## Technical Information



## Standard Features & Options

- ✓ Suitable for incorporating into pocket frame assemblies for a smooth running high end system.
- ✓ 304 stainless steel components available for corrosive environments.
- ✓ Track can be configured to suit Bi-Parting or CornerMeeting set-ups.
- ✓ Clip-on fascia available. Standard finishes: Clear or Bronze Anodized. Inquire about custom colors.

Our products come with a number of unique features:

- 1 Heavy duty one-piece extruded aluminum track.
- 2 Pre-machined mounting holes.
- 3 Minimal clearance means the carriages/wheels cannot jump off the track or jam.
- 4 Large diameter wheels with precision ground bearings make for smooth running.
- 5 Radiused track reduces friction and allows dust to be pushed into the gutters so the door always slides smoothly.
- 6 M8 body made from cast stainless steel for strength and reliability. 4-wheel carriages are standard on all doors over 200lb.
- 7 **CarriSnap™** quick release system allows the door to be removed easily from the track; no need to unscrew anything and lose door height adjustment.



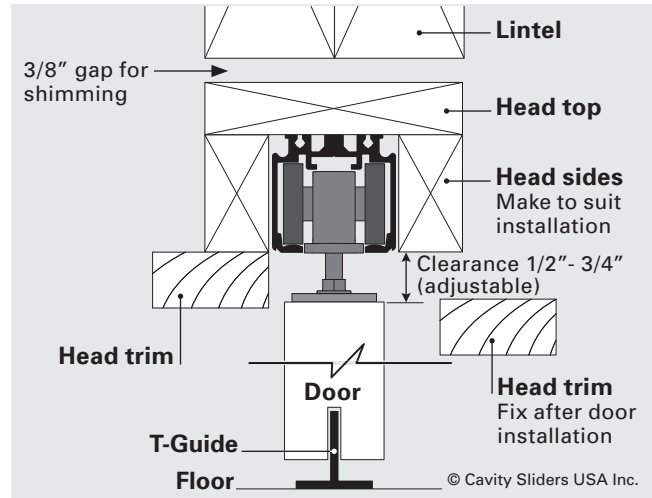
CaviTrack with M6 carriage



M8 carriage & mounting plate with stop

- Track Finish:** Clear anodized
- Fascia Finish:** Clear or bronze anodized
- Door Thickness:** No fascia: No limit  
With fascia: 35-45mm (1-3/8" - 1-3/4")
- Max Door Weight:** Standard: 240kg (500lb)  
SofStop: 120kg (264lb)
- Carriage Pack:** M6/M8/SofStop

## Suggested Assembly Detail



## SofStop® Features & Options

- ✓ High quality mechanism independently tested to 100,000 cycles.
- ✓ Soft close mechanism is hidden from sight, yet remains fully serviceable.

SofStop® Single	Minimum Door Width	
	No stop	1 Stop
<b>Soft Close</b>		
0 - 176 lb (80kg)	25" (635mm)	28" (711mm)
176 - 264 lb (120kg)	28" (711mm)	31" (787mm)
SofStop® Twin	<b>No stop</b>	<b>1 Stop</b>
0 - 176 lb (80kg)	33" (840mm)	36" (914mm)

## How to Order

Refer to Carriage Packs page for more information

1. **Specify track length**  
Available in 6', 8', 12 and 24' pre-cut lengths or can be cut down to specified length on request.
2. **Specify door weight & width** (see options)
3. **Choose a carriage pack** (one per door) - refer to Carriage Packs page  
M6 (200lb), M8 (500lb) or SofStop
4. **Fascia & End Caps** (optional) - Specify finish.

# FH-CeilingMountTrack - Single

**CS TrackSystems** are an innovative range of track systems designed for a multitude of sliding doorway applications.

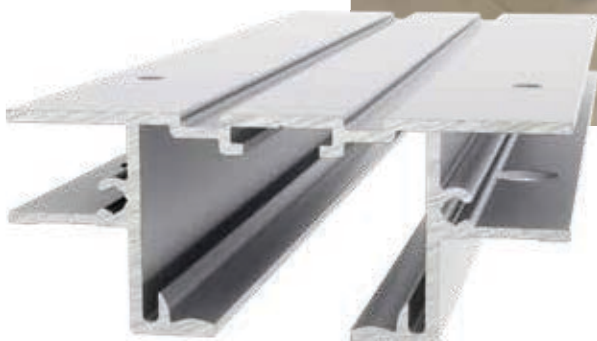
**CS FH-CeilingMount Track** is supplied with full-length fins that enable the ceiling lining to be fixed flush with the underside of the track. This ensures the continuation of the ceiling-line through where the door slides. The track can also be painted on site to match the ceiling color.

FH-CeilingMountTrack can be upgraded to SofStop® soft close. This is suitable for areas where quiet is required, such as bedrooms, offices and patient rooms.



 **AVAILABLE WITH:**  
SofStop® Soft Close / Soft Open

*Single FH-CeilingMountTrack in a corner meeting pocket door setup.*



*Single FH-CeilingMountTrack*

 **TrackSystems**

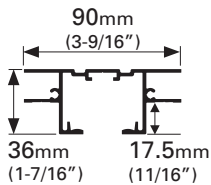
# CS FH-CeilingMountTrack - Single

## Standard Features & Options

- ▮ Suitable for large room dividers or surface sliding applications.\*
- ▮ Track can be configured to suit Bi-Parting door set-ups, including CornerMeeting detail.
- ▮ 304 stainless steel components available for corrosive environments.
- ▮ Track may be painted on site to match ceiling color. (See data sheet on our website).

\*Not suitable for use in a pre-fabricated pocket frame. You will need to build a wall either side of the track when using in a pocket application.

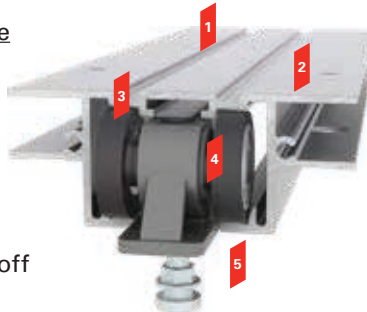
## Technical Information



- Finish:** Clear anodized
- Door Thickness:** No limit
- Max Door Weight:** Std: 240kg (500lb)  
SofStop: 120kg (264lb)
- Carriage Pack:** M6/M8/SofStop

Our engineers focus on constantly developing new products and refining existing ones. That's why our products come with a number of unique features:

- 1 Heavy duty one-piece extruded aluminum track.
- 2 Pre-machined mounting holes.
- 3 Minimal clearance means the carriages/wheels cannot jump off the track or jam.
- 4 Large diameter wheels with precision ground bearings make for smooth running.
- 5 Radiused track reduces friction and allows dust to be pushed into the gutters so the door always slides smoothly.
- 6 M8 body made from cast stainless steel for strength and reliability. 4-wheel carriages are standard on all doors over 200lb.
- 7 **CarriSnap™** quick release system allows the door to be removed easily from the track; no need to unscrew anything and lose door height adjustment.

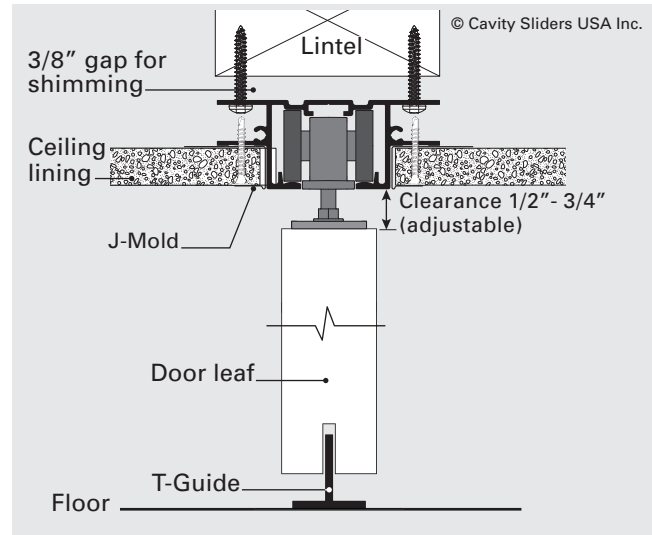


**FH-Ceiling Mount Track with M6 carriage**



**M8 carriage & mounting plate with stop**

## Fixing Detail



## CS SofStop® Features & Options

- ▮ Single or Twin action (soft open/soft close) options available.
- ▮ The soft close mechanism is hidden from sight, yet remains fully serviceable.
- ▮ High quality soft close mechanism has been independently tested to 100,000 cycles.

CS SofStop® Single	Minimum Door Width	
	No stop	1 Stop
 <b>0 - 176 lb</b> 80kg	25" (635mm)	28" (711mm)
 <b>176 - 264 lb</b> 120kg	28" (711mm)	31" (787mm)
CS SofStop® Twin	No stop	1 Stop
 <b>0 - 176 lb</b> 80kg	33" (840mm)	36" (914mm)

## How to Order

Refer to Carriage Packs page for more information

1. **Specify track length**  
Available in 6', 8', 12 and 24' pre-cut lengths or can be cut down to specified length on request.
2. **Specify door weight & width** (see options)
3. **Choose a carriage pack** (one per door) - refer to Carriage Packs page  
**M6** (200lb), **M8** (500lb) or **SofStop**

© All copyright and other property in this document is reserved by Cavity Sliders USA Inc. Details and specifications are subject to change without notice. Whilst all care is taken to ensure the accuracy of all information, no responsibility will be accepted for any errors or omissions. CS FH-CeilingMountTrack™ (O.D. 2008). Patent pending. 60683 07.2019

[www.cavitysliders.com](http://www.cavitysliders.com)

High quality products designed in New Zealand



T (888) 466 0030  
F (310) 769 5824  
E [info@cavitysliders.com](mailto:info@cavitysliders.com)

Cavity Sliders USA Inc.

548 Finney Ct  
Gardena  
CA 90248



**CavitySliders**  
The Pocket Door Experts

# WallMountTrack

**CS TrackSystems** are an innovative range of track systems designed for a multitude of sliding doorway applications.

**CS WallMountTrack** is suitable for surface sliding applications where there is enough strength in the wall to side mount a track system above an opening.

Installation is quick and easy as the track is supplied with pre-machined fixing slots. The track also comes with a pre-finished, removable aluminum fascia and end caps that neatly conceal the top of the door, track and carriage system.

The WallMount Track can be upgraded to SofStop® soft close. This is suitable for areas where quiet is required, such as bedrooms, offices and patient rooms.



**AVAILABLE WITH:**  
 SofStop® Soft Close / Soft Open

*CS WallMountTrack with clear anodized finish.*

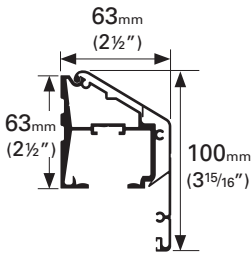
CS WallMountTrack

 TrackSystems

## Standard Features & Options

- Available as a single track set-up only, i.e. no double or triple track versions are available.
- 304 stainless steel components available for corrosive environments.
- Track can be configured to suit Bi-Parting doors.
- Fascia may be anodized or powder coated. Standard finishes: Clear or Bronze Anodized. Inquire about custom colors.

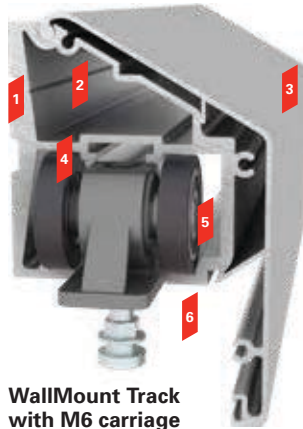
## Technical Information



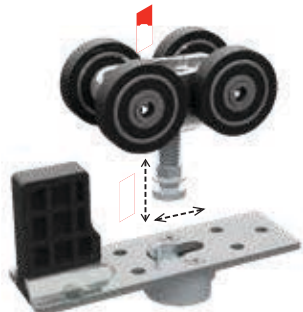
- Fascia Finish:** See Options
- Door Thickness:** 35-45mm (1-3/8" to 1-3/4"\*)
- Max Door Weight:** Std: 240kg (500lb) SofStop: 120kg (264lb)
- Carriage Pack:** M6/M8/SofStop

Our engineers focus on constantly developing new products and refining existing ones. That's why our products come with a number of unique features:

- 1 Heavy duty one-piece extruded aluminum track.
- 2 Pre-machined mounting holes.
- 3 Fascia is removable for future servicing requirements.
- 4 Minimal clearance means the carriages/wheels cannot jump off the track or jam.
- 5 Large diameter wheels with precision ground bearings make for smooth running.
- 6 Radiused track reduces friction and allows dust to be pushed into the gutters so the door always slides smoothly.
- 7 M8 body made from cast stainless steel for strength and reliability. 4-wheel carriages are standard on all doors over 200lb.
- 8 **CarriSnap™** quick release system allows the door to be removed easily from the track; no need to unscrew anything and lose door height adjustment.

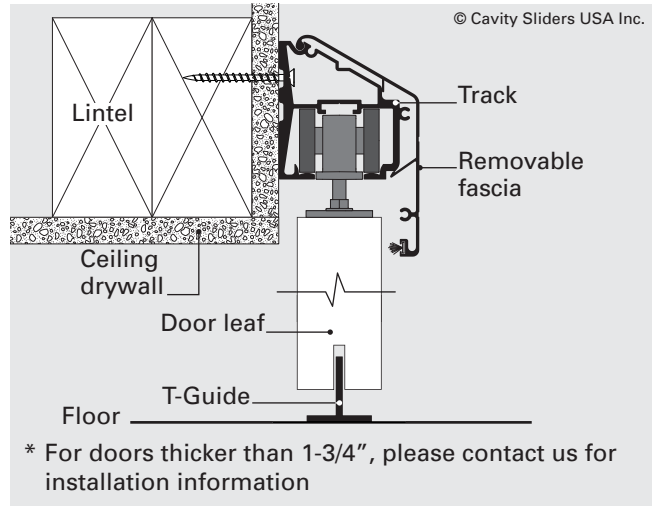


WallMount Track with M6 carriage



M8 carriage & mounting plate with stop

## Fixing Detail



\* For doors thicker than 1-3/4", please contact us for installation information

## SofStop® Features & Options

- Single or Twin action (soft open/soft close) options available.
- The soft close mechanism is hidden from sight, yet remains fully serviceable.
- High quality soft close mechanism has been independently tested to 100,000 cycles.

SofStop® Single	Minimum Door Width		
	No stop	1 Stop	2 Stops
<b>0 - 176 lb</b> 80kg	25" (635mm)	28" (711mm)	30" (762mm)
<b>176 - 264 lb</b> 120kg	28" (711mm)	31" (787mm)	33" (838mm)
SofStop® Twin	No stop	1 Stop	2 Stops
<b>0 - 176 lb</b> 80kg	33" (840mm)	36" (914mm)	39" (990mm)

## How to Order

Refer to Carriage Packs page for more information

1. **Specify track length**  
Available in 6', 8', 12 and 24' pre-cut lengths or can be cut down to specified length on request.
2. **Specify door weight & width** (see options)
3. **Specify finish**  
(fascia and end caps)
4. **Choose a carriage pack** (one per door)  
- refer to Carriage Packs page  
**M6** (200lb), **M8** (500lb) or **SofStop**





# CaviTrack™ - Side Mount

**CS TrackSystems** are an innovative range of track systems designed for a multitude of sliding doorway applications.

**CS CaviTrack Side Mount** is an ideal surface sliding solution where vertical fixing space is limited. This system is side fixed through the track profile. It is popular when the top of the door opening is close to the ceiling and there isn't structural support for fixture above the track.

Installation is quick and easy as the track is supplied with pre-machined fixing holes. The track also comes with a pre-finished, removable aluminum fascia and end caps that neatly conceal the top of the door, track and carriage system. The square profile of the track allows for it to be fixed to the wall with very little clearance between the ceiling drywall and the top of the track.

CaviTrack Side Mount can be upgraded to SofStop® soft close.



**AVAILABLE WITH:**  
 SofStop® Soft Close / Soft Open

*CS CaviTrack Side Mount with fascia*



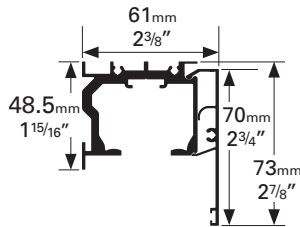
*CS CaviTrack Side Mount with fascia*

 TrackSystems

## Standard Features & Options

- Available as a single track set-up only, i.e. no double or triple track versions are available.
- 304 stainless steel components available for corrosive environments.
- Track can be configured to suit Bi-Parting doors.
- Fascia may be anodized or powder coated. Standard finishes: Clear or Bronze Anodized. Inquire about custom colors.

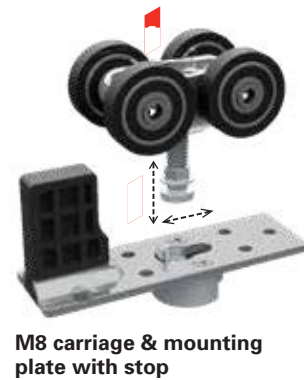
## Technical Information



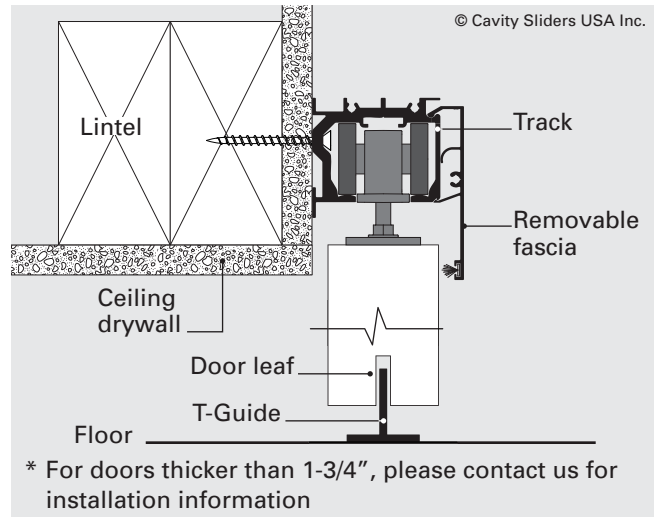
- Fascia:** See Options
- Door Thickness:** 35-45mm (1-3/8" to 1-3/4"\*)
- Max Door Weight:** Std: 240kg (500lb) SofStop: 120kg (264lb)
- Carriage Pack:** M6/M8/SofStop

Our engineers focus on constantly developing new products and refining existing ones. That's why our products come with a number of unique features:

- 1 Heavy duty one-piece extruded aluminum track.
- 2 Pre-machined mounting holes.
- 3 Fascia is removable for future servicing requirements.
- 4 Minimal clearance means the carriages/wheels cannot jump off the track or jam.
- 5 Large diameter wheels with precision ground bearings make for smooth running.
- 6 Radiused track reduces friction and allows dust to be pushed into the gutters so the door always slides smoothly.
- 7 M8 body made from cast stainless steel for strength and reliability. 4-wheel carriages are standard on all doors over 200lb.
- 8 **CarriSnap™** quick release system allows the door to be removed easily from the track; no need to unscrew anything and lose door height adjustment.



## Fixing Detail



## SofStop® Features & Options

- Single or Twin action (soft open/soft close) options available.
- The soft close mechanism is hidden from sight, yet remains fully serviceable.
- High quality soft close mechanism has been independently tested to 100,000 cycles.

SofStop® Single	Minimum Door Width		
	No stop	1 Stop	2 Stops
<b>0 - 176 lb</b> 80kg	25" (635mm)	28" (711mm)	30" (762mm)
<b>176 - 264 lb</b> 120kg	28" (711mm)	31" (787mm)	33" (838mm)
SofStop® Twin	No stop	1 Stop	2 Stops
<b>0 - 176 lb</b> 80kg	33" (840mm)	36" (914mm)	39" (990mm)

## How to Order

Refer to **Carriage Packs** page for more information

1. **Specify track length**  
Available in 6', 8', 12 and 24' pre-cut lengths or can be cut down to specified length on request.
2. **Specify door weight & width** (see options)
3. **Specify finish**  
(fascia and end caps)
4. **Choose a carriage pack** (one per door)  
- refer to **Carriage Packs** page  
**M6** (200lb), **M8** (500lb) or **SofStop**



# BarnDoorTrack


**CS TrackSystems** are an innovative range of track systems designed for a multitude of sliding doorway applications.

**CS BarnDoorTrack** is suitable for surface sliding applications where there is enough strength in the wall to side mount a track above an opening. It is designed to offer adjustability of the door out from the wall. This allows for clearance with baseboards and casings without an unsightly head spacer.

Installation is quick and easy as the track bracket is supplied with pre-machined fixing slots. The track is pre-finished black anodized and supplied with fixing bracket, stops, door hangers and T-Guide.

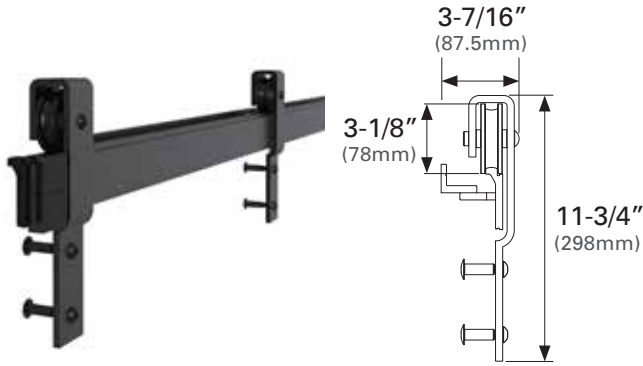


*CS BarnDoorTrack and door hangers*

**AVAILABLE WITH:**  
 **SofStop**® Soft Close / Soft Open

*CS BarnDoorTrack with black anodized finish.*

 **TrackSystems**



## Technical Information

<b>Track Finish:</b>	Black Anodized
<b>Max. Door Weight (per track):</b>	650 lb
<b>Max. Door Weight (SofStop):</b>	264 lb
<b>Min. Door Thickness:</b>	1-1/4"

## Design Features & Options

- ▮ Track is high-quality, heavy duty extruded aluminum.
- ▮ Black Anodized finish.
- ▮ Track can be easily adjusted to allow for different wall clearances with baseboard & moulding.
- ▮ No exposed fasteners gives a clean look.
- ▮ Ultra smooth running acetal wheels.
- ▮ Pre-machined mounting holes. Additional holes can be drilled on site to match studs.
- ▮ Anti-jump system ensures wheels cannot jump off the track.
- ▮ Maximum weight per track: 650lb (see installation notes).
- ▮ SofStop® 264 lb soft close / soft open kit available (suitable for retrofit).

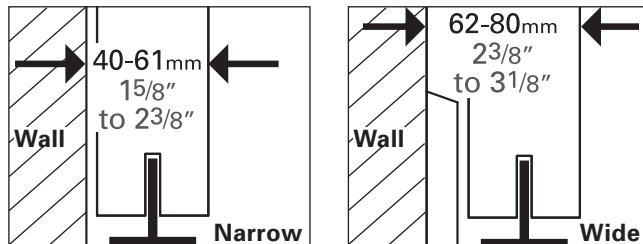
## Installation Notes

The stud wall must be level and solid enough to support the door weight. This track is supplied with coach screws suitable for use with timber framing. For fixing to concrete walls, masonry anchors must be used.

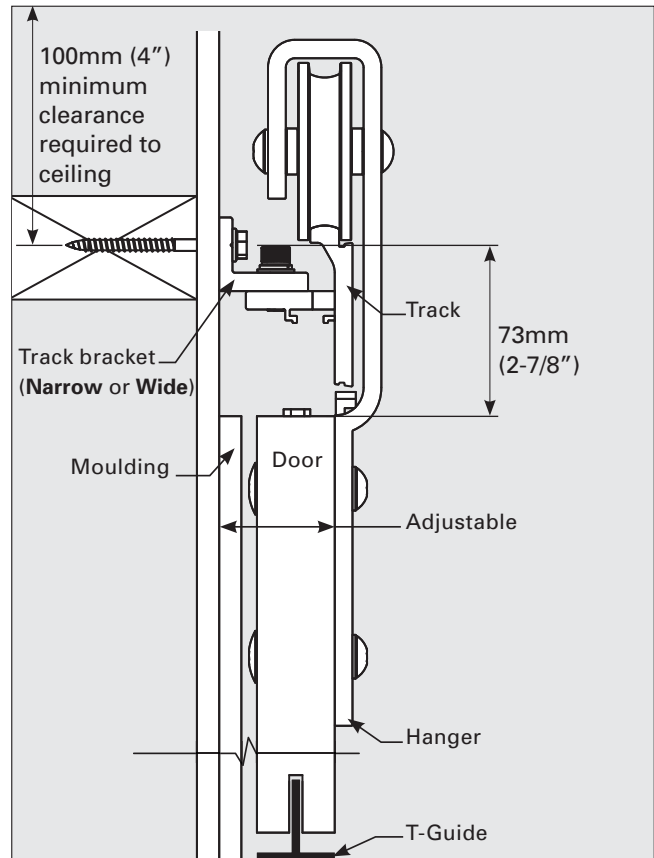
### Determine overall thickness

This track system is supplied with either a Narrow or Wide track bracket which must be specified at time of order. The bracket can be adjusted to suit an overall thickness of door + gap + moulding of:

1-5/8" to 2-3/8" (40 - 61mm)(**Narrow** option) or  
2-3/8" to 3-1/8" (62 - 80mm)(**Wide** option).



## Fixing Detail



## How to Order

- 1. Specify track length**  
(available in 5, 6, 7, 8, 10, 13, 14, 15, 16, 17, 18 and 19' pre-cut lengths)
- 2. Choose Narrow or Wide bracket**
- 3. Select hanger packs** (one pack per door)
- 4. Select SofStop packs**  
(2 packs required for soft open & close. Max. door weight 264 lb)

# TopMountTrack - Double/Triple

**CS TrackSystems** are an innovative range of track systems designed for a multitude of sliding doorway applications.

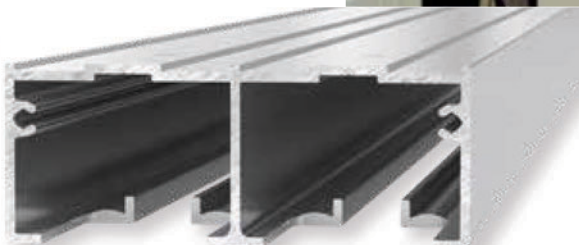
**CS TopMount Track** is a smooth running low profile track system suitable for incorporating into pocket door frame and bypass wardrobe assemblies.

The addition of the TopMount Track and CS carriage system allows you to transform a standard pocket into a luxury item. This system is ideal for use in applications where longevity of use and smooth operation are required.

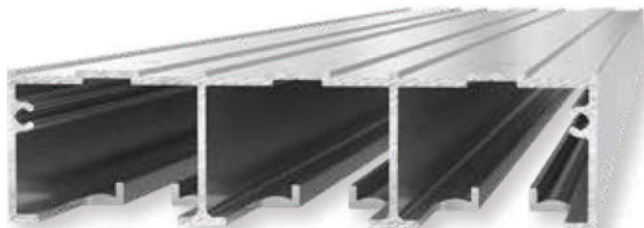
TopMount Track is available as standard in a double or triple track configuration.



*Double TopMount Track wardrobe door system.*



*Double TopMount Track (1-3/8" door option)*

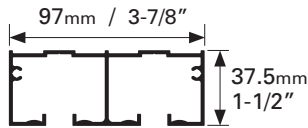


*Triple TopMount Track (1-3/8" door option)*

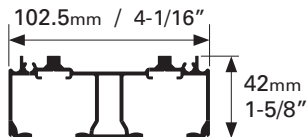
# TopMountTrack - Double/Triple Track

## Technical Information

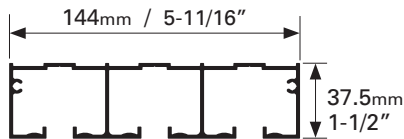
### Double Track - 1-3/8" doors



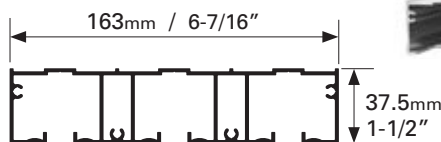
### 1-3/4" doors



### Triple Track - 1-3/8" doors



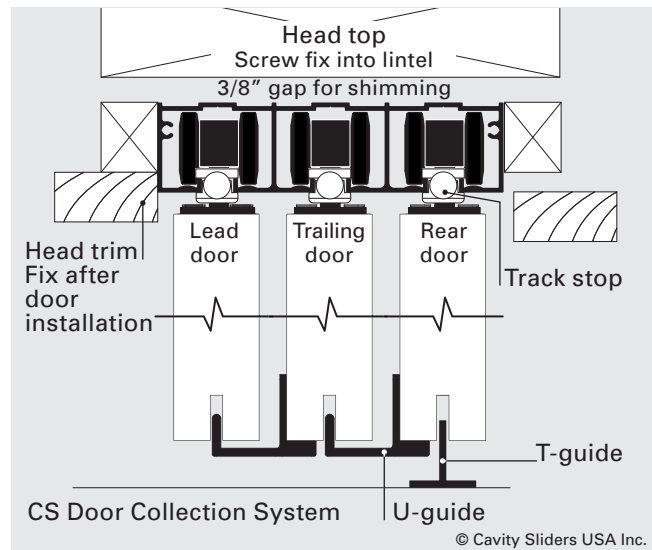
### 1-3/4" doors



Track	Double	Triple
<b>Finish:</b>	Mill-finish	Mill-finish
<b>Recommended Door Thickness:</b>	35 or 45mm (1-3/8" or 1-3/4")	35 or 45mm (1-3/8" or 1-3/4")*
<b>Max Weight/door:</b>	240kg (500lb)	240kg (500lb)
<b>Carriage Pack:</b>	M6 or M8	M6 or M8

\*For thicker doors, please contact us for suitable options

## Suggested Fixing Detail



## Door Collection System

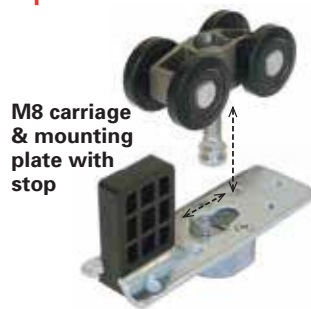
Where multiple doors are required to slide in conjunction with one another, the **CS Door Collection System** ensures a smooth running telescopic system (*see separate brochure*). The doors are connected so that there is no need for floor tracks or guides through the opening.

## How to Order

1. Choose track configuration (double or triple)
2. Specify door thickness
3. Specify track length (available in 6, 8, 12 and 24' pre-cut lengths)
4. Choose a carriage pack (one per door) - refer to *Carriage Packs* page
  - a) M6 (200lb)
  - b) M8 (500lb) (includes carriages, mounting plates, T-Guide, fixing screws, adjusting wrench and installation instructions)
  - c) **CS Door Collection System** (includes M6 or M8 carriage pack plus door collection system for 2 door or 3 door setup)

## Design Features & Options

- ▶ Tracks can be used for bypass and collection systems.
- ▶ Tracks can be configured to suit Bi-Parting door set-ups, including CornerMeeting detail.
- ▶ Available in 6', 8', 12' and 24' pre-cut lengths. Custom lengths can be cut to order.
- ▶ Heavy duty one-piece extruded aluminum track.
- ▶ Pre-machined mounting holes.



- ▶ CarriSnap™ quick release system allows the door to be removed easily from track; no need to unscrew anything and lose door height adjustment.

© All copyright and other property in this document is reserved by Cavity Sliders USA Inc. Details and specifications are subject to change without notice. Whilst all care is taken to ensure the accuracy of all information, no responsibility will be accepted for any errors or omissions. CS TopMountTrack™ (O.D. 2008). Patent pending. 61208 - 03.2020

[www.cavitysliders.com](http://www.cavitysliders.com)

High quality products designed in New Zealand



T (888) 466 0030  
F (310) 769 5824  
E [info@cavitysliders.com](mailto:info@cavitysliders.com)

Cavity Sliders USA Inc.

548 Finney Ct  
Gardena  
CA 90248



**CavitySliders**  
The Pocket Door Experts

# FH-CeilingMountTrack - Double/Triple

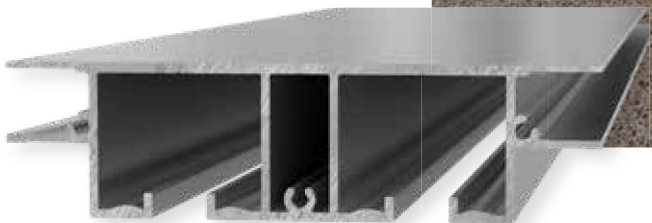
**CS TrackSystems** are an innovative range of track systems designed for a multitude of sliding doorway applications.

**CS FH-CeilingMount Track** is designed to enable ceiling linings to be fixed flush with the underside of the track. This ensures the continuation of the ceiling-line through where the door slides. The track can also be painted on site to match the ceiling color.

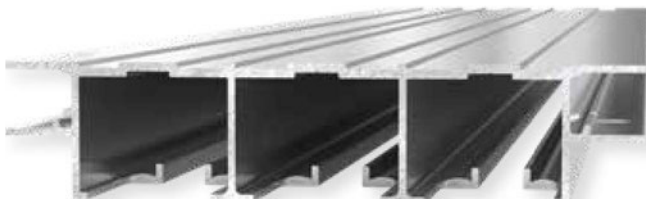
FH-CeilingMountTrack is available as standard in a single, double and triple track configuration.



*Triple FH-CeilingMountTrack pocket door system.*



*Double FH-CeilingMountTrack  
(1-3/4" door option)*

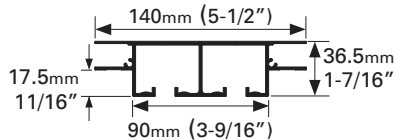


*Triple FH-CeilingMountTrack (1-3/8" door option)*

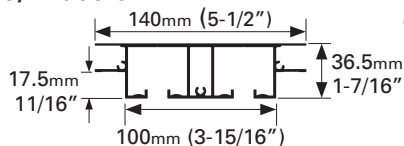
# FH-CeilingMountTrack - Double/Triple

## Technical Information

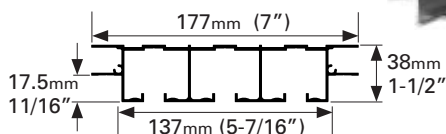
### Double Track - 1-3/8" doors



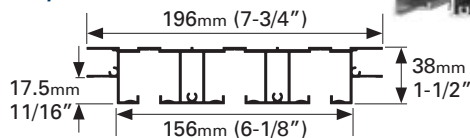
### 1-3/4" doors



### Triple Track - 1-3/8" doors



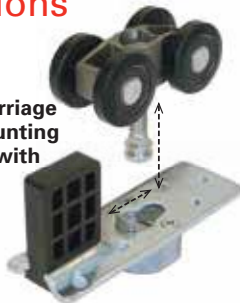
### 1-3/4" doors



## Design Features & Options

- ▶ Tracks can be used for bypass and collection systems.\*
- ▶ Tracks can be configured to suit Bi-Parting door set-ups, including CornerMeeting detail.
- ▶ Available in 6', 8', 12' and 24' pre-cut lengths. Custom lengths can be cut to order.
- ▶ Track may be painted on site to match ceiling color. (See data sheet available for download from our website).
- ▶ Ceiling linings may be fixed flush with the underside of the track.

M8 carriage & mounting plate with stop



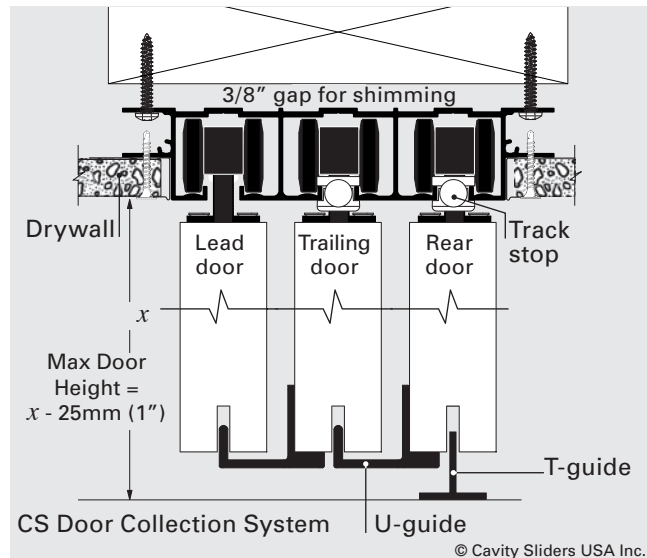
- ▶ Heavy duty one-piece extruded aluminum track.
- ▶ Pre-machined mounting holes.
- ▶ CarriSnap™ quick release system allows the door to be removed easily from track; no need to unscrew anything and lose door height adjustment.

\*Not suitable for use in a pre-fabricated pocket frame. You will need to build a wall either side of the track when using in a pocket application.

Track	Double	Triple
<b>Finish:</b>	Mill-finish	Mill-finish
<b>Recommended Door Thickness:</b>	35 or 45mm (1-3/8" or 1-3/4")	35 or 45mm (1-3/8" or 1-3/4")*
<b>Max Weight/door:</b>	240kg (500lb)	240kg (500lb)
<b>Carriage Pack:</b>	M6 or M8	M6 or M8

\*For thicker doors, please contact us for suitable options

## Suggested Fixing Detail



## Door Collection System

Where multiple doors are required to slide in conjunction with one another, the **CS Door Collection System** ensures a smooth running telescopic system (*see separate brochure*). The doors are connected so that there is no need for floor tracks or guides through the opening.

## How to Order

1. **Choose track configuration**(double or triple)
2. **Specify door thickness**
3. **Specify track length**  
(available in 6, 8, 12 and 24' pre-cut lengths)
4. **Choose a carriage pack** (one per door)  
- refer to **Carriage Packs page**
  - a) **M6** (200lb)
  - b) **M8** (500lb)  
(includes carriages, mounting plates, T-Guide, fixing screws, adjusting wrench and installation instructions)
  - c) **CS Door Collection System** (for telescopic doors)  
(includes **M6** or **M8** carriage pack plus door collection system for **2 door** or **3 door** setup)

[www.cavitysliders.com](http://www.cavitysliders.com)

High quality products designed in New Zealand



T (888) 466 0030  
F (310) 769 5824  
E [info@cavitysliders.com](mailto:info@cavitysliders.com)

Cavity Sliders USA Inc.

548 Finney Ct  
Gardena  
CA 90248



**CavitySliders**  
The Pocket Door Experts



# CS Door Collection System

The **CS Door Collection System** is used in conjunction with our **FullHeight** or **TopMount** double or triple track to create an easy to operate telescopic door collection system.

The doors are connected so that there is no need for floor tracks or guides through the opening.

## Design Features & Options

- ▮ Pack includes: pick-up extrusion, guides and fixing screws to allow one door to pick up the next.
- ▮ Available for double or triple door set-ups - simply choose your number of doors and carriage type (**M6** or **M8**).
- ▮ Pickup extrusion comes standard as 114" length. Can be cut to required door height.
- ▮ You will also need to choose double or triple FH-CeilingMountTrack or CS TopMountTrack of the required length.
- ▮ Suitable for 1-3/8" to 1-3/4" thick doors. **For thicker doors, please inquire about suitable options.**

## Pack Components

Kit includes carriages, mounting plates, adjusting wrench, extrusions, guides and fixing screws to allow one door to pick up the next.

### 2 Door M6 (200lb) Pickup Pack



### 2 Door M8 (500lb) Pickup Pack



### 3 Door M6 (200lb) Pickup Pack

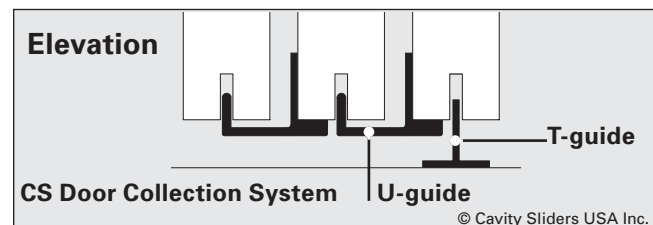
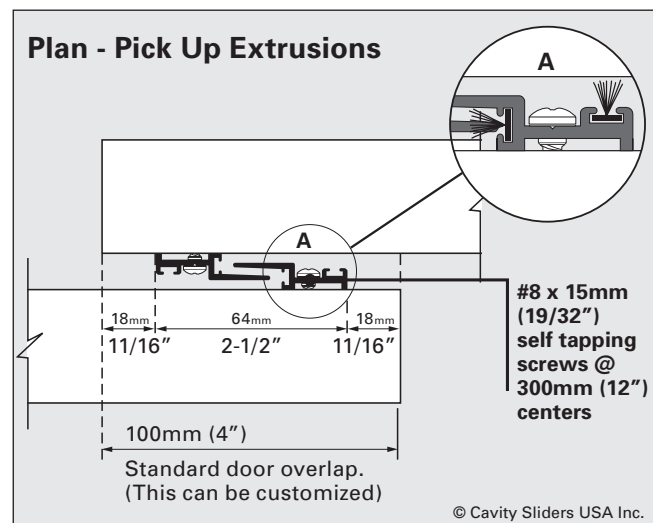


### 3 Door M8 (500lb) Pickup Pack



Collection system fixed to doors (not visible when installation is complete).

## Technical Information



## How to Order

1. Choose number of doors (double door or triple door kit)
2. Choose a carriage type: **M6** (200lb) or **M8** (500lb)

**You will also require:**

- CS FH-CeilingMountTrack (double or triple) or
- CS TopMountTrack (double or triple)

© All copyright and other property in this document is reserved by Cavity Sliders USA Inc. Details and specifications are subject to change without notice. Whilst all care is taken to ensure the accuracy of all information, no responsibility will be accepted for any errors or omissions. CS DOOR COLLECTION SYSTEM (O.D. 1986). Patent pending. 60995 - 07.2019

[www.cavitysliders.com](http://www.cavitysliders.com)

High quality products designed in New Zealand



T (888) 466 0030  
 F (310) 769 5824  
 E [info@cavitysliders.com](mailto:info@cavitysliders.com)

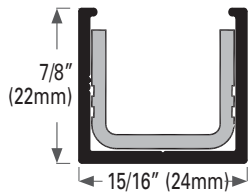
Cavity Sliders USA Inc.

548 Finney Ct  
 Gardena  
 CA 90248

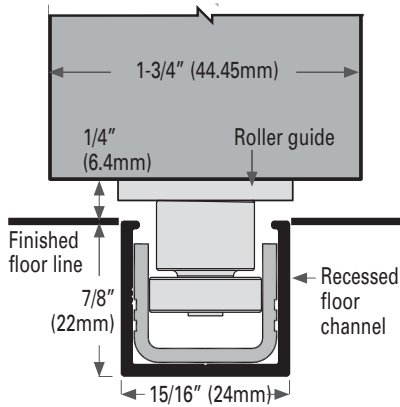


**CavitySliders**  
 The Pocket Door Experts

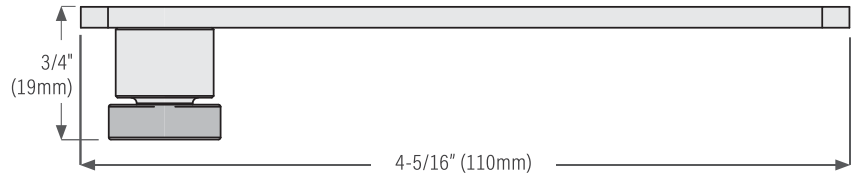
# CS Floor Channel & Bearing Guide System



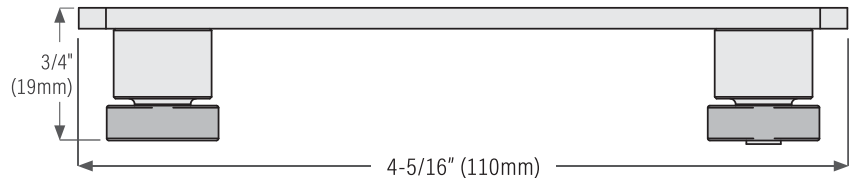
Floor channel, aluminum bronze anodized with pvc insert.



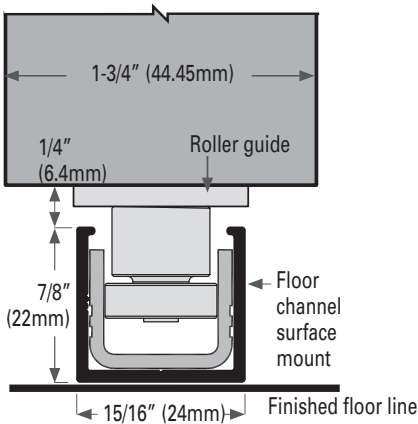
Bottom guide, ball bearing roller (stainless steel) for recessed floor channel



Ball bearing single roller, stainless steel



Ball bearing double roller, stainless steel



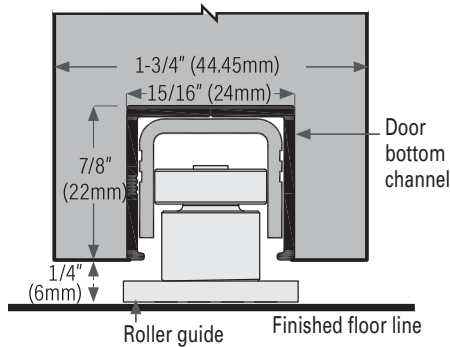
Bottom guide, ball bearing roller (stainless steel) for surface mount floor channel



Ball bearing, double roller, stainless steel



Ball bearing, single roller, stainless steel



Bottom guide, ball bearing roller (stainless steel) for door bottom channel

[www.cavitysliders.com](http://www.cavitysliders.com)

High quality products designed in New Zealand



T (888) 466 0030  
F (310) 769 5824  
E [info@cavitysliders.com](mailto:info@cavitysliders.com)

Cavity Sliders USA Inc.

548 Finney Ct  
Gardena  
CA 90248



**CavitySliders**  
The Pocket Door Experts

© All copyright and other property in this document is reserved by Cavity Sliders USA Inc. Details and specifications are subject to change without notice. Whilst all care is taken to ensure the accuracy of all information, no responsibility will be accepted for any errors or omissions. CS FLOOR CHANNEL & BEARING GUIDE SYSTEM (O.D. 1986). 61303 - 03.2019

# HeavyDutyTrack

**CS TrackSystems** are an innovative range of track systems designed for a multitude of sliding doorway applications.

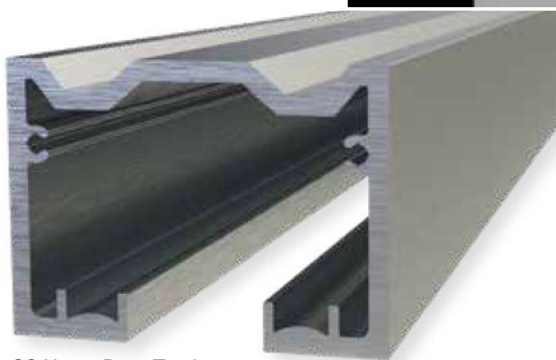
**CS HeavyDutyTrack** is an ultra heavy duty extruded track system designed to take oversized or heavy doors up to a maximum of 500kg (1100lb).

This track is suitable for a wide range of commercial, industrial and residential applications such as large feature doors (as pictured) or large factory doors.

The track is supplied in a clear (natural) anodized finish, making it suitable for interior or exterior use.

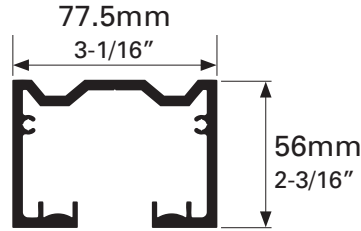


*Large feature door hung on CS HeavyDutyTrack.*



*CS HeavyDuty Track*

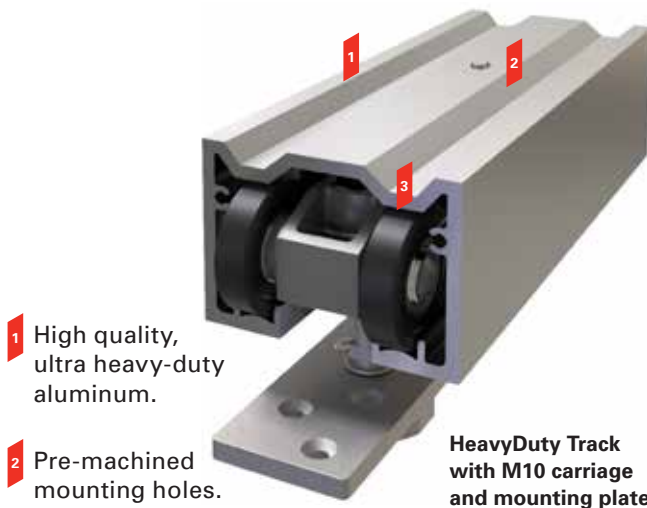
## Technical Information



<b>Finish:</b>	Clear anodized	
<b>Max. Door Weight:</b>	500kg	1100lb
<b>Min. Door Thickness:</b>	40mm	1-9/16"
<b>Carriage Pack:</b>	M10 only	

## Track & Carriage Features

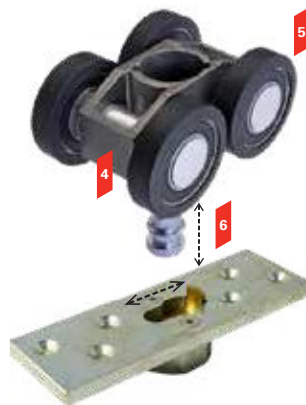
Our engineers focus on constantly developing new products and refining existing ones. That's why our products come with a number of unique features:



- 1 High quality, ultra heavy-duty aluminum.
- 2 Pre-machined mounting holes.
- 3 Minimal clearance means the carriages/wheels cannot jump off the track or jam.

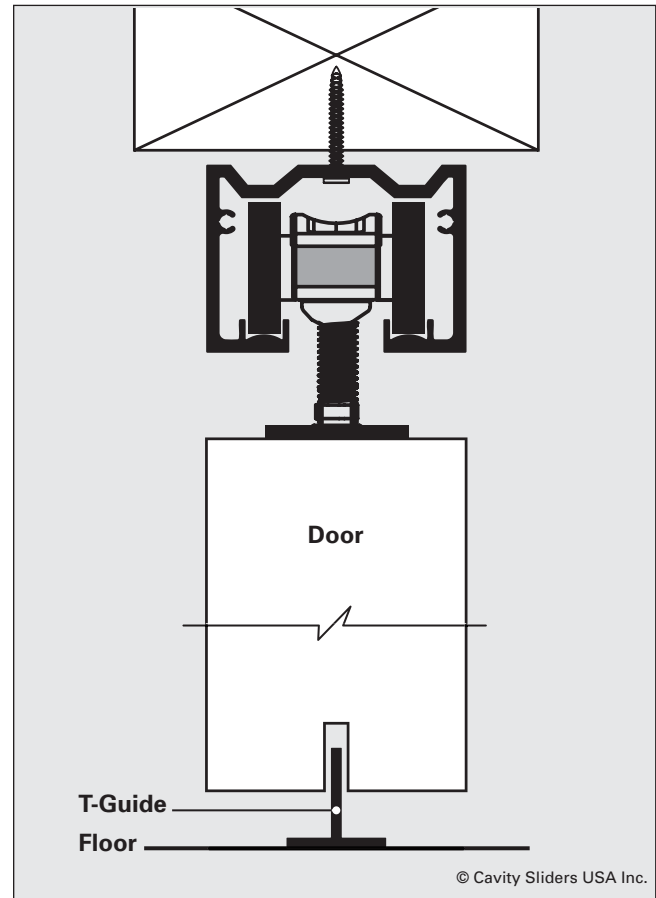
**HeavyDuty Track with M10 carriage and mounting plate**

- 4 M10 body made from cast stainless steel for strength and reliability.
- 5 Large diameter wheels with precision ground bearings make for smooth running.
- 6 **CarriSnap™** quick release system allows the door to be removed easily from the track.



**M10 carriage & mounting plate**

## Suggested Assembly Detail



## How to Order

1. **Specify track length**  
(available in lengths up to 28')
2. **Choose an M10 carriage pack** (one per door)  
- refer to *Carriage Packs* page

**M10** (1100lb)  
(includes carriages, mounting plates, T-Guide, fixing screws, adjusting wrench, installation instructions and stops if required)

# FramelessGlass

**CS TrackSystems** are an innovative range of track systems designed for a multitude of sliding doorway applications.

The **CS Frameless Glass** clamp system is designed to take frameless glass sliding doors of 3/8" or 1/2" thickness. The clamp is compatible with all of the standard CS tracks.

Use this system for a distinctive, smooth running, reliable frameless glass sliding door.

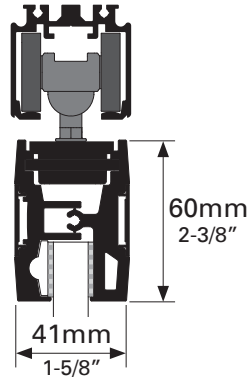


*Pocket doors with CS Frameless Glass track systems.*



*CS Frameless Glass clamp system.*

## Technical Information



CS Frameless Glass clamp with M8 carriage

<b>Clamp Finish:</b>	Clear anodized
<b>Glass Thickness:</b>	10mm (3/8") or 12mm (1/2")
<b>Max Door Weight:</b>	240kg (500lb)
<b>Carriage Pack:</b>	M8 only

## CS Frameless Glass Clamp Features

Our engineers focus on constantly developing new products and refining existing ones. That's why our products come with a number of unique features:



CS Frameless Glass clamp system with CS Pocket track, M8 carriage and mounting plate

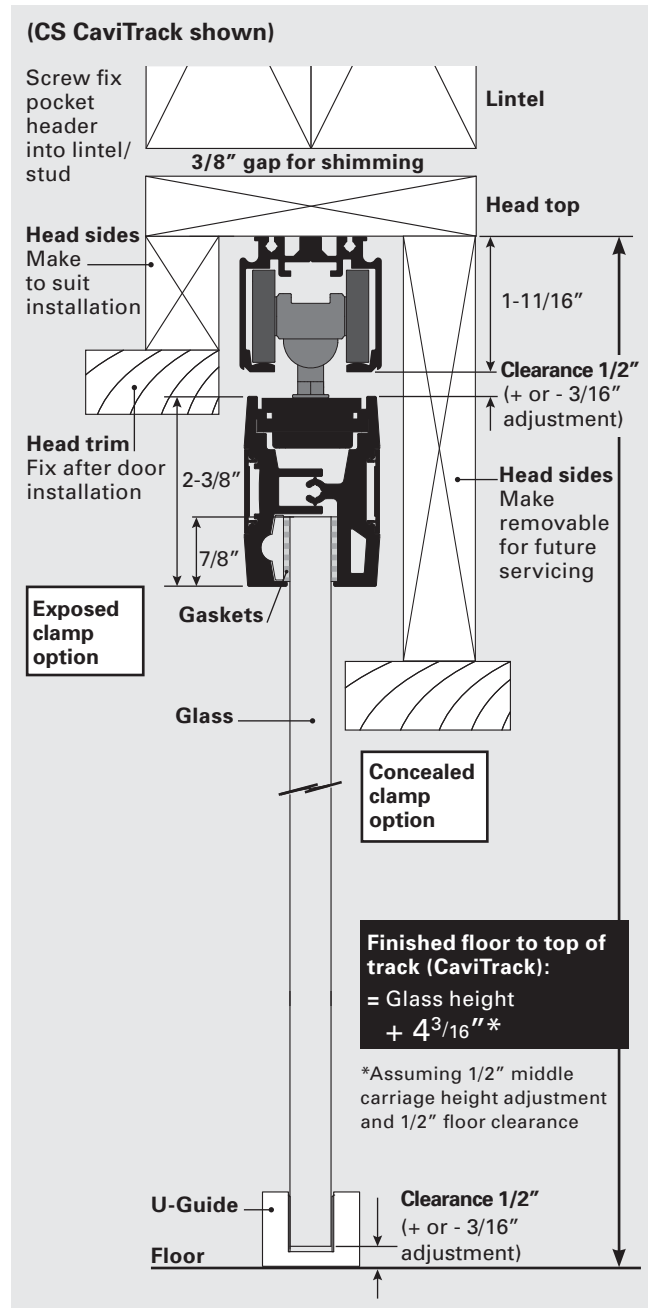
- 1** Compatible with all of the standard CS tracks (ordered separately)
- 2** M8 body made from cast stainless steel for strength and reliability. 4-wheel carriages are standard on all doors over 200lb
- 3** CarriSnap™ quick release system allows the door to be removed easily from the track
- 4** Glass clamp rail
- 5** Removable end cap

## How to Order

The CS Frameless Glass clamp system is compatible with all of the standard CS tracks (ordered separately).

- 1. Specify clamp length**  
(available in 2, 3, 4, 5 and 6' pre-cut lengths)
- 2. Choose number of M8 (500lb) carriage packs**  
(one per door - includes carriages, mounting plates, fixing screws, adjusting wrench and installation instructions)
- 3. Specify Frameless Glass U-Guide**  
(one per door - suits 3/8" and 1/2" glass)

## Suggested Assembly Detail

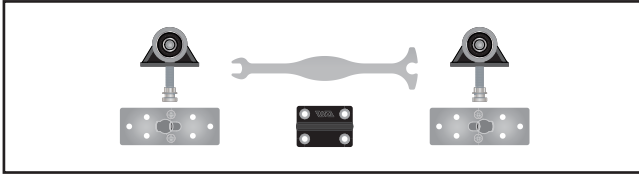


\*Assuming 1/2" middle carriage height adjustment and 1/2" floor clearance

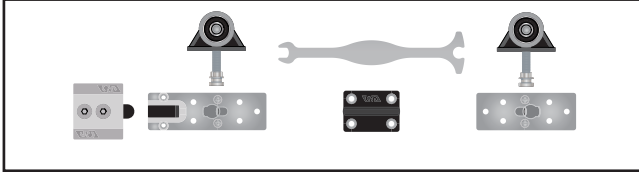
# Carriage Packs

## M6 (200lb)

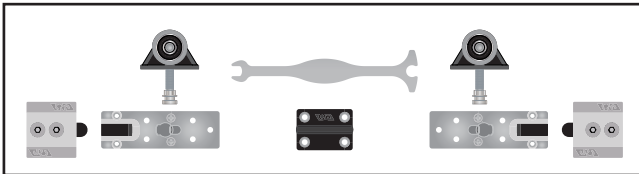
**DKM0601** - M6 Single Door with no stop



**DKM0611** - M6 Single Door with 1 stop

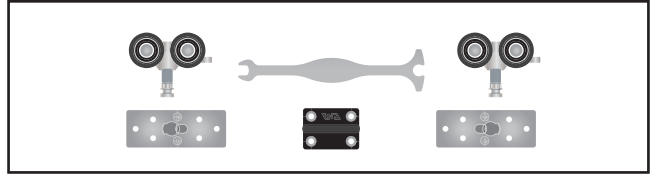


**DKM0621** - M6 Single Door with 2 stops

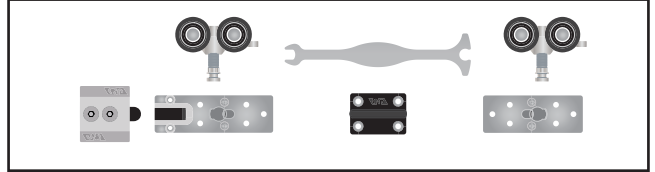


## M8 (500lb)

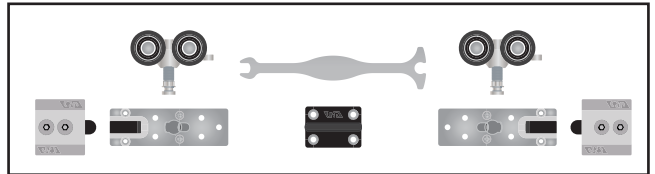
**DKM0801** - M8 Single Door with no stop



**DKM0811** - M8 Single Door with 1 stop



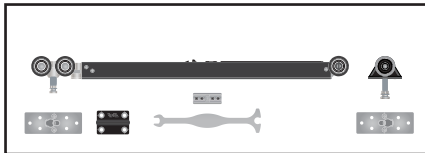
**DKM0821** - M8 Single Door with 2 stops



## CS SOFSTOP - Single Action

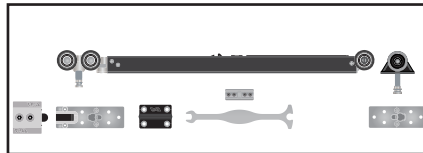
**DKS0301** (0 - 176 lb) No Stops

**DKS0401** (176 - 264 lb) No Stops



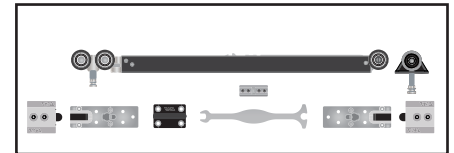
**DKS0311** (0 - 176 lb) 1 stop

**DKS0411** (176 - 264 lb) 1 stop



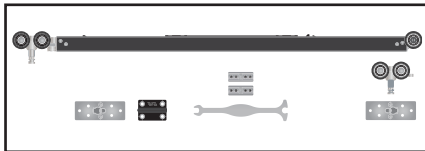
**DKS0321** (0 - 176 lb) 2 stops

**DKS0421** (176 - 264 lb) 2 stops

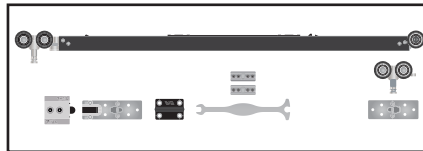


## CS SOFSTOP - Double Action

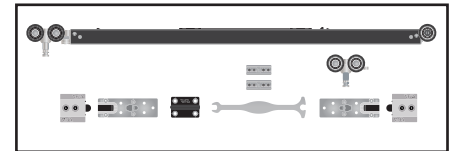
**DKS0601** (0 - 176 lb) No Stops



**DKS0611** (0 - 176 lb) 1 Stop

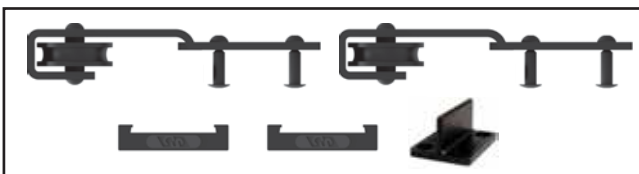


**DKS0621** (0 - 176 lb) 2 stops



## CS Barn Door Hanger Pack

**TSBS001** - CS Barn Door Hangers & Stops Pack



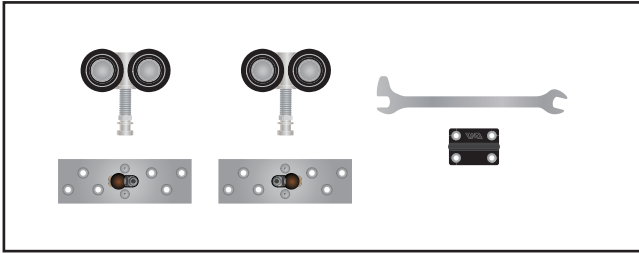
**TSBS100** - SofStop (264 lb) Single Pack for Barn Door Track



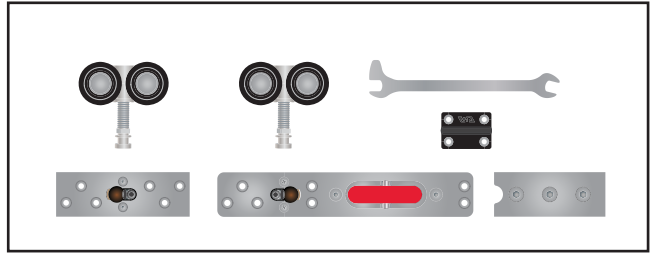
# Carriage Packs

## M10 (1100lb)

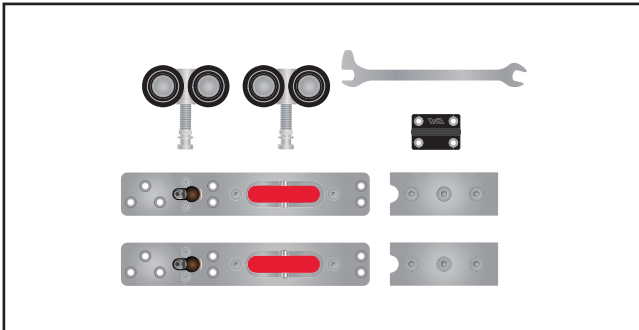
**DKM1000**- M10 Single Door with no stop



**DKM1010** - M10 Single Door with 1 stop



**DKM1020** - M10 Single Door with 2 stops



# Door Collection Systems

## M6 (200lb)

**DKO6200** - 2 Door M6 (200lb) 1 3/8" Collection Pack  
**DKO6220** - 2 Door M6 (200lb) 1 3/4" Collection Pack



**DKO6300** - 3 Door M6 (200lb) 1 3/8" Collection Pack  
**DKO6320** - 3 Door M6 (200lb) 1 3/4" Collection Pack

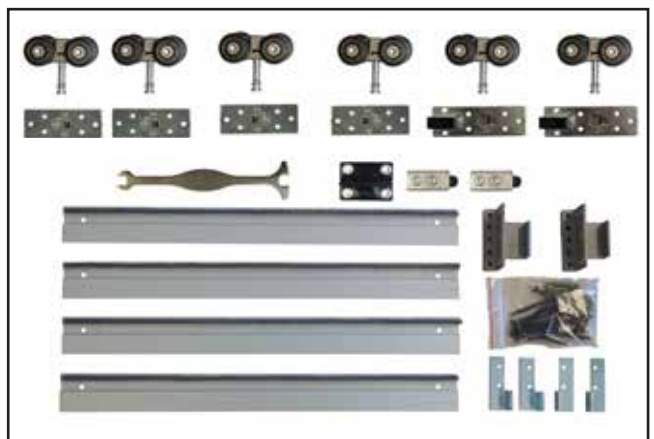


## M8 (500lb)

**DKO8200** - 2 Door M8 (500lb) 1 3/8" Collection Pack  
**DKO8220** - 2 Door M8 (500lb) 1 3/4" Collection Pack



**DKO8300** - 3 Door M8 (500lb) 1 3/8" Collection Pack  
**DKO8320** - 3 Door M8 (500lb) 1 3/4" Collection Pack





# Handle & Lock Product Range



## CL400<sup>®</sup> Magnetic

A range of high quality passage, privacy and locking handles suitable for single or double pocket doors.



## BarnDoorStrike

Enables the CL400 Magnetic range of sliding door hardware to be compatible for barn door applications.



## CL200 Range

A range of high quality passage and privacy handles suitable for pocket doors.



## CL100 Lever

A robust commercial grade side handle.



## CL100 FlushTurn

A circular flush turn specifically designed for sliding doors.



## Other Hardware

Flush handles and stylish edge pulls to suit timber or aluminum doors.



# CL400<sup>®</sup> Magnetic

The **CAVILOCK<sup>®</sup> CL400 Magnetic** is a range of modern architectural hardware for sliding doors. Configurations include Passage, Privacy, Bi-Parting and Key Locking.

This high quality, wrap around handle is easy to fit, requiring no complicated mortise cutout.

Available with a choice of finish options, the CL400 Magnetic is suitable for residential and light commercial use.



*Watch the CL400 Magnetic video on YouTube*



*CL400 Magnetic Privacy, Satin Nickel*



*CL400 Magnetic Key Locking, Oil Rubbed Bronze*

 **CaviLock<sup>®</sup>**  
Quality Sliding Door Hardware

Architectural styling with a wide range of configurations and finish options available

No on site alteration of handle is required

Reliable, high quality components

Suitable for pocket or barn slider style doors\*

Step by step installation instructions with detailed diagrams and templates are included

Can be used to upgrade existing hardware by retrofitting over smaller box cutout

Positive grip for heavy doors

Simple cutout ensures quick fitting

Front edge incorporates a finger hole to retrieve door from the pocket

Moving parts sit flush until the door closes to minimize wear

Patented magnetic catch and plunger action<sup>†</sup> produces a positive hold close without the need to activate the snib

Hidden fixing screws - only three small screws showing on the face plate

Available with a choice of face plate widths to suit doors from 1-3/8" to 2-1/4" thick

Striker can be adjusted 3/32" up or down once installed

Striker sits flush with the closing jamb

<sup>†</sup> US Patent No. 10036185

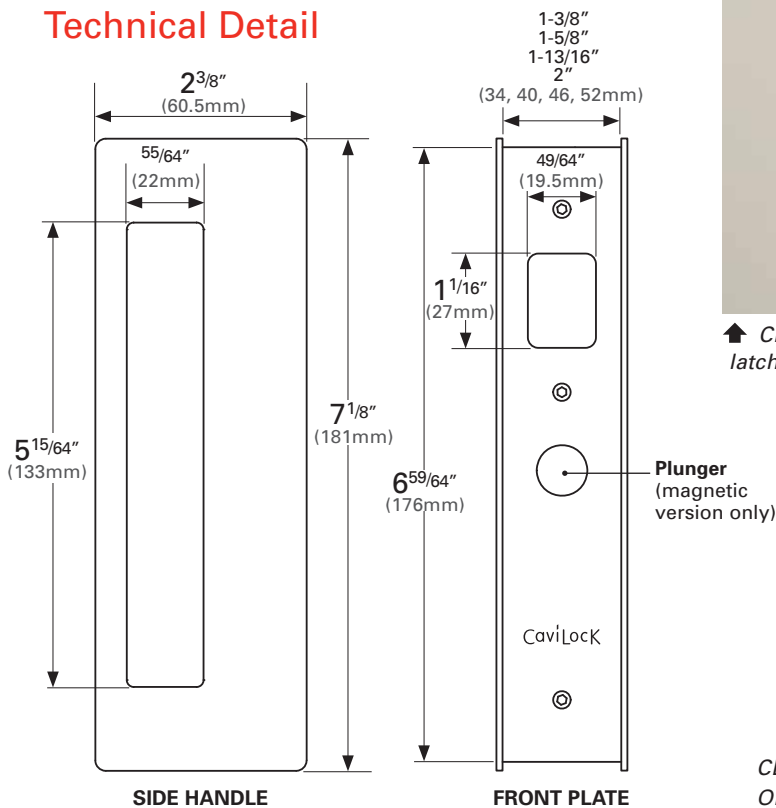
\* Not suitable where high security is a requirement.

The CL400 is a stylish architectural option for passage handles. Designed to complement the privacy and locking range, this handle features a positive hold close action to ensure the door doesn't bounce off the closing jamb.

## Design Features & Options

- ▮ Passage hardware matches Privacy and Key Locking hardware.
- ▮ Door slides flush back into the pocket.
- ▮ Suits doors from 1-3/8" to 2-1/4" thick.
- ▮ Magnetic latch ensures door doesn't roll away from the closing jamb.
- ▮ Available in a range of finishes.
- ▮ Non-magnetic version also available.

## Technical Detail



CL400 Passage (non latching). Satin Chrome finish.



CL400 Passage (latching). Oil Rubbed Bronze finish.

**Selection Procedure** To order, ensure you have the following information ready:

Function	Door thickness	Finish
Passage (Non Latching)	34 - 40 mm (1-3/8" to 1-9/16")	Bright Chrome
Passage (Mag Latching)	40 - 46 mm (1-5/8" to 1-3/4")	Satin Chrome
	46 - 52 mm (1-13/16" to 2")	Oil Rubbed Bronze
	52 - 58 mm (2-1/16" to 2-1/4")	Satin Nickel
		Matte Black

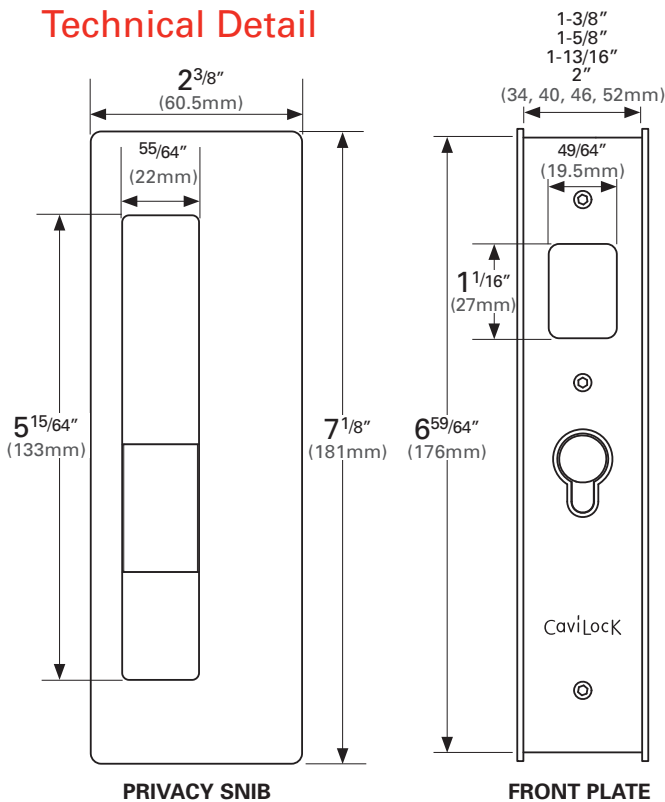
Dimensions shown in inches (and millimeters).

The CL400 Privacy option matches the other configurations in the range. The magnetic latching feature ensures the door doesn't roll open - even if the snib is not engaged.

## Design Features & Options

- Options include: Snib Both Sides, Snib One Side, or Snib/Emergency.
- Privacy hardware matches Passage and Key Locking hardware.
- Door slides flush back into the pocket.
- Magnetic latch ensures door doesn't roll away from the closing jamb.
- Moving parts sit flush until the door closes to minimize wear.
- Available in a range of finishes.
- Suits doors from 1-3/8" to 2-1/4" thick.

## Technical Detail



CL400 Privacy Snib/ Snib option. Satin Nickel finish.



Emergency Release can be activated with a pen in an emergency.

CL400 Privacy - Emergency Release/Snib option. Matte Chrome finish.



## Selection Procedure

To order, ensure you have the following information ready:

Function (see handing)	Door thickness	Finish	Handing Configuration										
Snib/Snib	1-3/8" to 1-9/16"	Bright Chrome	Handing is determined at time of manufacture and cannot be altered on site. Careful selection of handing options is required at time of order. See diagram for determining handing of functions.										
Snib/Emerg.	1-5/8" to 1-3/4"	Satin Chrome											
Snib One Side	1-13/16" to 2"	Oil Rubbed Bronze	<table border="0"> <tr> <td>LH</td> <td>RH</td> <td rowspan="3">Stand looking into the pocket as shown</td> </tr> <tr> <td>Snib</td> <td>Snib</td> </tr> <tr> <td>Blank</td> <td>Blank</td> </tr> <tr> <td>Emerg.</td> <td>Emerg.</td> <td> </td> </tr> </table>	LH	RH	Stand looking into the pocket as shown	Snib	Snib	Blank	Blank	Emerg.	Emerg.	
	LH	RH		Stand looking into the pocket as shown									
Snib	Snib												
Blank	Blank												
Emerg.	Emerg.												
	2-1/16" to 2-1/4"	Satin Nickel											
		Matte Black											

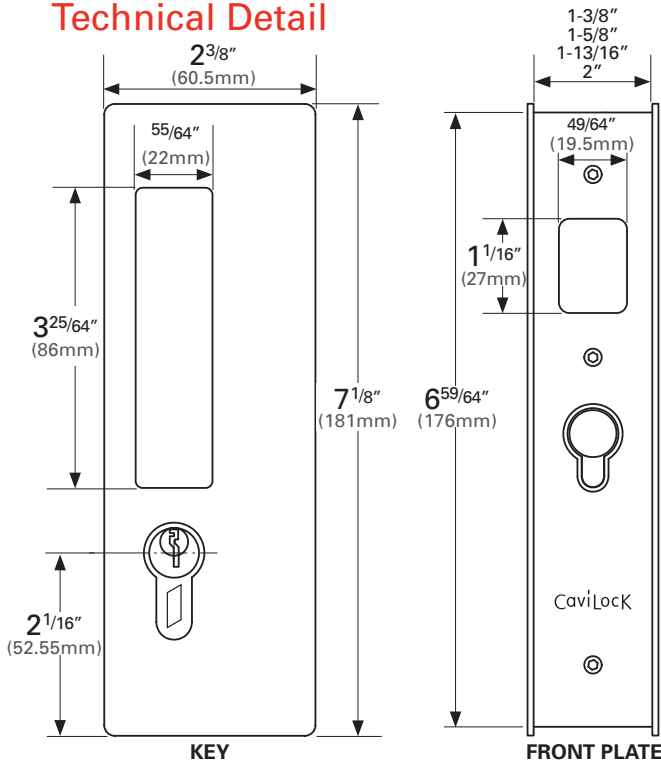
The CL400 Key Locking option is suitable for residential or light commercial use in internal situations where medium security is required.

It incorporates a single or double Euro Profile cylinder with Schlage C Keyway. All Key Locking handles come with a raised shroud as standard for increased security.\*

## Design Features & Options

- Options include:
  - Key/Snib, Key/Key or Key one side.
  - Magnetic latch ensures door doesn't roll away from the closing jamb.
  - Raised shroud included as standard for increased security.
  - Moving parts sit flush until the door closes to minimize wear.
  - Key Locking hardware matches Passage and Privacy hardware.
  - Available in a range of finishes.
  - Door slides flush back into the pocket.
  - Suits doors from 1-3/8" to 2-1/4" thick.

## Technical Detail



CL400 Key/Key option. Satin Nickel finish.



CL400 Key/Snib option. Oil Rubbed Bronze finish.

## Selection Procedure

To order, ensure you have the following information ready:

Function (see handing)	Door thickness	Finish	Handing Configuration							
Key/Snib	1-3/8" to 1-9/16"	Bright Chrome	Handing is determined at time of manufacture and cannot be altered on site. Careful selection of handing options is required at time of order. See diagram for determining handing of functions.							
Key/Key	1-5/8" to 1-3/4"	Satin Chrome								
Key One Side	1-13/16" to 2"	Oil Rubbed Bronze								
	2-1/16" to 2-1/4"	Satin Nickel								
		Matte Black								
		<table border="0"> <tr> <td><b>LH</b></td> <td><b>RH</b></td> </tr> <tr> <td><input type="checkbox"/> Key</td> <td><input type="checkbox"/> Key</td> </tr> <tr> <td><input type="checkbox"/> Snib</td> <td><input type="checkbox"/> Snib</td> </tr> <tr> <td><input type="checkbox"/> Blank</td> <td><input type="checkbox"/> Blank</td> </tr> </table>	<b>LH</b>	<b>RH</b>	<input type="checkbox"/> Key	<input type="checkbox"/> Key	<input type="checkbox"/> Snib	<input type="checkbox"/> Snib	<input type="checkbox"/> Blank	<input type="checkbox"/> Blank
<b>LH</b>	<b>RH</b>									
<input type="checkbox"/> Key	<input type="checkbox"/> Key									
<input type="checkbox"/> Snib	<input type="checkbox"/> Snib									
<input type="checkbox"/> Blank	<input type="checkbox"/> Blank									
			Stand looking into the pocket as shown 							

Dimensions shown in inches (and millimeters). \* Not suitable where high security is a requirement

# Bi-Parting (Double Door) Set

**CL400<sup>®</sup> Magnetic**

The CL400 Bi-Parting set is suitable for use where two doors meet in the middle. Passage, Privacy and Key Locking configurations are available.

The positive hold close action brings the doors together smoothly and holds them together until ready to open.

Note: Privacy and Key Locking configurations are not suitable as a high security option when used in a Bi-Parting door setup.

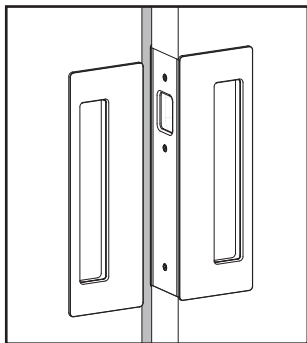
## Design Features & Options

- Options include Passage, Privacy and Key Locking.
- Bi-Parting hardware matches other hardware in the range.
- Moving parts sit flush until the door closes to minimize wear.
- Doors slide flush back into the pocket.
- Available in a range of finishes.
- Suits doors from 1-3/8" to 2-1/4" thick.

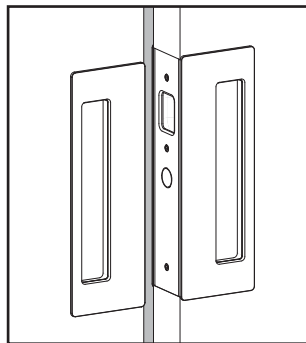
*CL400 Bi-Parting Privacy Emergency/Snib option. Satin Nickel finish.* ➔



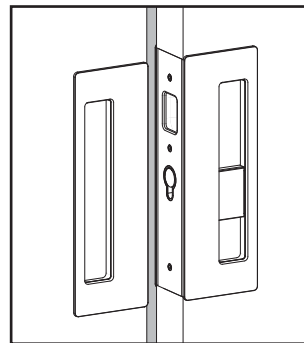
## Configurations



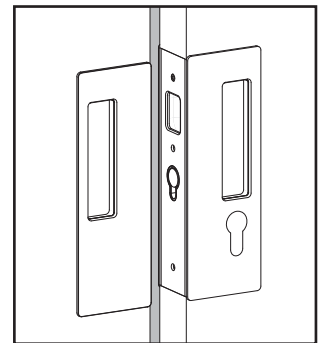
Passage - non latching



Passage - latching



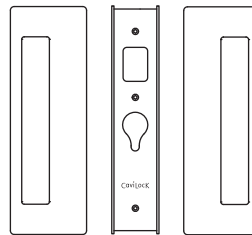
Privacy



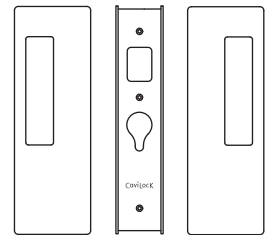
Key Locking

## Selection Procedure

Select the functionality and finish required from the table below to choose your Bi-Parting Pack. A matching handle set will automatically be supplied to suit your selection.

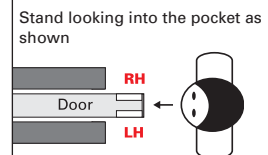


Matching Handle Set  
- Passage / Privacy



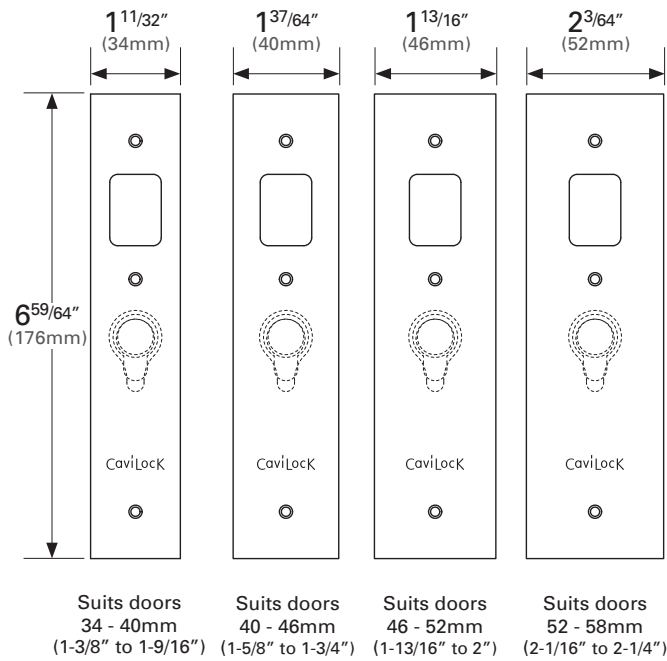
Matching Handle Set  
- Key Locking

Function	Door thickness	Finish	Handing Configuration
Bi-Parting Passage	1-3/8" to 1-9/16"	Bright Chrome	Bi-Parting Privacy Snib One Side and Key One Side handles are supplied with the Snib or Key on the right hand side only.
Bi-Parting Passage (Latching)	1-5/8" to 1-3/4"	Satin Chrome	
	1-13/16" to 2"	Oil Rubbed Bronze	
Bi-Parting Privacy	2-1/16" to 2-1/4"	Satin Nickel	
Bi-Parting Key		Matte Black	
			Snib both sides Snib one side Snib/Emergency Key both sides Key one side



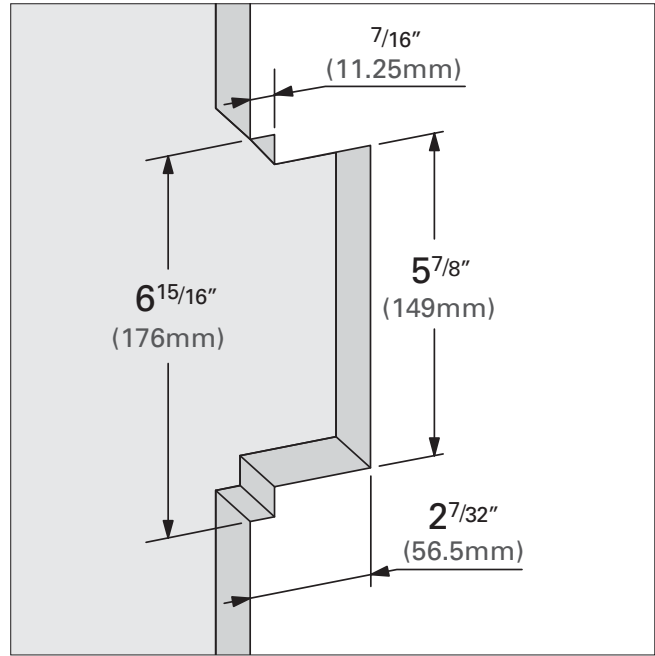
## Face Plate

Four different face plate widths are available, to suit doors from 1-3/8" to 2-1/4" thick.



## Door Cutout

The CL400 requires a simple door cut out. Complete instructions and templates are supplied with every handle.



## Finish Options

All CL400 configurations are available in a range of finishes. Custom finishes are available by special order.



Bright Chrome

Satin Chrome

Oil Rubbed Bronze

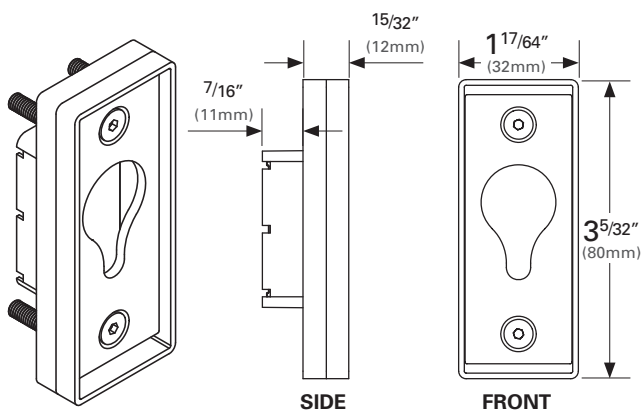
Satin Nickel

Matte Black

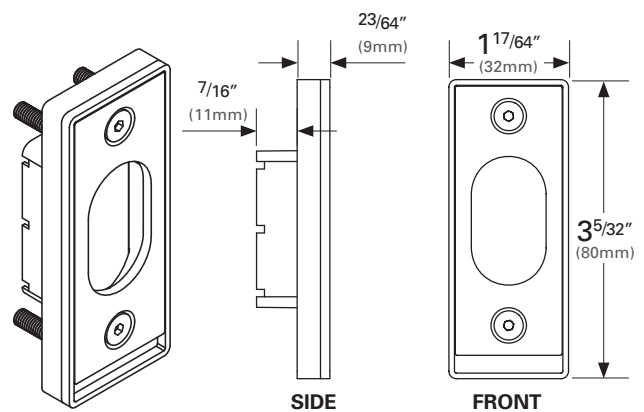
## Striker

Depending on the configuration of the handle, the striker supplied is designed to either sit flush with the face of the closing jamb or recessed into the closing jamb. Striker cutout template and instructions are supplied with your handle and cover installation into a flush or recessed closing jamb.

### Recessed striker - Key Locking handles



### Flush striker - Privacy & Passage handles



Dimensions shown in inches (and millimeters).



© All copyright and other property in this document is reserved by Cavity Sliders USA Inc. Details and specifications are subject to change without notice. Whilst all care is taken to ensure the accuracy of all information, no responsibility will be accepted for any errors or omissions. Drawings & pictures are not to scale. Dimensions shown in inches (and millimeters). Colors shown may not accurately represent product. Timber lock blocks shown do not depict actual doors.

® CAVILOCK is a Registered Trademark. **CAVILOCK® CL400 MAGNETIC** (O.D. 2013). US Patent No. 10036185. 60867/US - 12.2018

[www.cavitysliders.com](http://www.cavitysliders.com)

High quality  
products designed  
in New Zealand



T (888) 466 0030  
F (310) 769 5824  
E [info@cavitysliders.com](mailto:info@cavitysliders.com)

**Cavity Sliders USA Inc.**

548 Finney Ct  
Gardena  
CA 90248



Another quality product from:

The logo for CavitySliders, featuring a stylized red 'C' and 'S' followed by the text 'CavitySliders' in a bold, sans-serif font.

The Pocket Door Experts

# BarnDoorStrike

The **CaviLock Barn Door Strike** makes the CL400 Magnetic range of sliding door hardware compatible for barn door applications.

It is available for use with CL400 Magnetic Passage, Privacy and Key Locking configurations and CL400 ADA Passage and Privacy handles.



ADA



*CaviLock Barn Door Strike with CL400 ADA Magnetic handle.*



*CaviLock Barn Door Strike with CL400 Magnetic Privacy handle.*

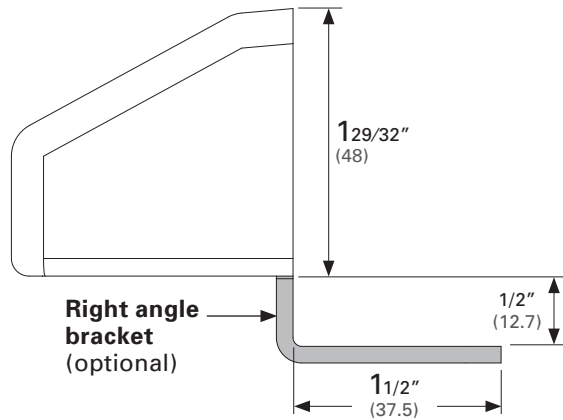
 **CaviLock**<sup>®</sup>  
Quality Sliding Door Hardware

## Design Features & Options

- ▮ Suitable for doors 1-3/8" or 1-3/4" thick.
- ▮ ADA compliant with the use of the CL400 ADA handle.
- ▮ Easy to install.
- ▮ Available in a range of finishes.
- ▮ Suitable for use with CL400 Passage, Privacy and Key Locking handles.

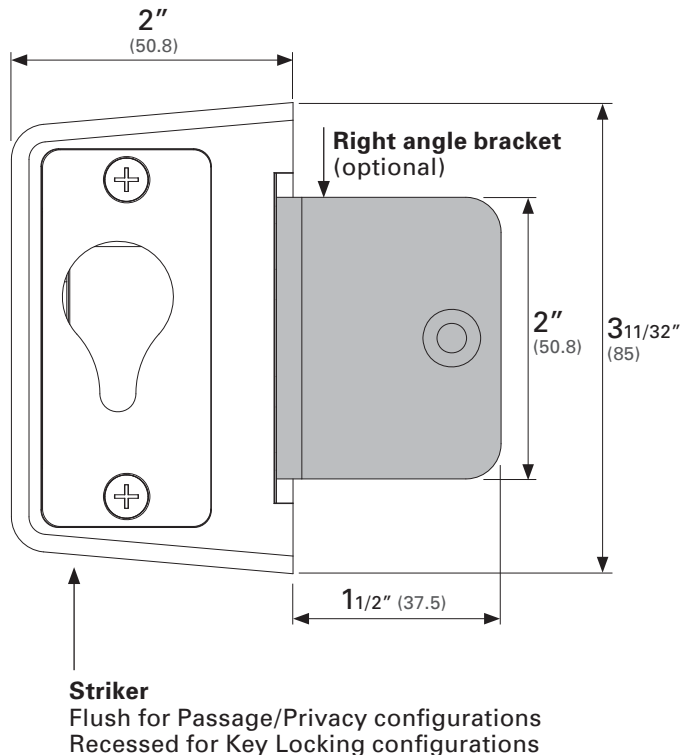
## Dimensions

A hidden bracket is supplied as standard.  
A right angle bracket can be ordered where additional fixing strength is required, e.g. heavy commercial use.



## Product Codes & Finish Options

	Finish	Barn Door Strike	Right Angle Bracket
	Bright Chrome	CL400SA0025	CL400BA0025
	Satin Chrome	CL400SA0125	CL400BA0125
	Oil Rubbed Bronze	CL400SA0225	CL400BA0225
	Satin Nickel	CL400SA0325	CL400BA0325
	Matte Black	CL400SA0425	CL400BA0425
	Paint Primed White	CL400SA0725	CL400BA0725



Drawings & pictures are not to scale. Colors shown may not accurately represent product All dimensions in inches (and mm).

[www.cavitysliders.com](http://www.cavitysliders.com)

High quality products designed in New Zealand



T (888) 466 0030  
F (310) 769 5824  
E [info@cavitysliders.com](mailto:info@cavitysliders.com)

**Cavity Sliders USA Inc.**

548 Finney Ct  
Gardena  
CA 90248



Another quality product from:

 **CavitySliders**  
Quality Sliding Door Hardware

# CL200 Range

The **CL200** is a durable range of sliding door hardware suitable for residential, commercial, and hospitality applications.

Privacy handles incorporate a patented magnetic latching system\*, ensuring a smooth locking action. This handle is not handed.

Two face plate widths are available. Handles can be adjusted to suit doors from 1-3/8" to 1-1/2" or 1-5/8" to 1-3/4" thick.

\*Patent pending



*CaviLock CL200 Passage handle*

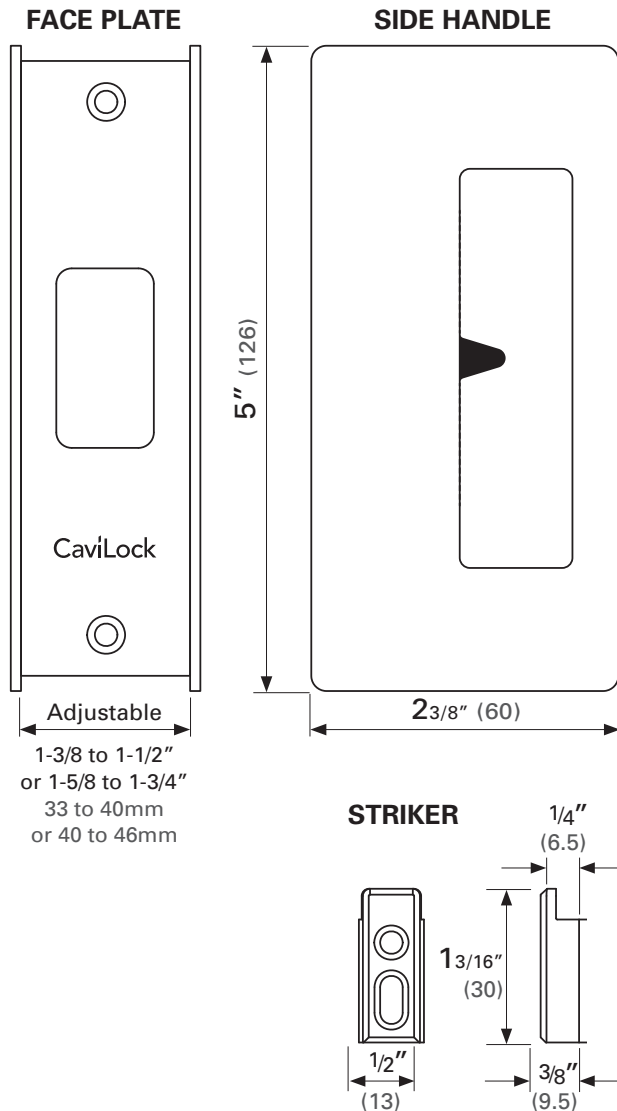


*CaviLock CL200 Privacy handle*

 **CaviLock**<sup>®</sup>  
Quality Sliding Door Hardware

# CL200 Range

## Dimensions



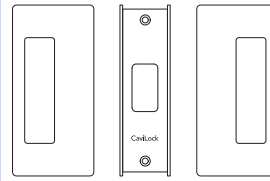
## Features

- Passage, Privacy and Bi-Parting options are available in a range of finishes.
- Suitable for use on timber or aluminum doors.
- Integrated snib button allows more space in the side pull.
- Handles are not handed.
- Large finger pull has more depth for greater purchase.
- Simple installation with easy to follow instructions.

## Configurations

### CL205 A - Passage (non-latching)

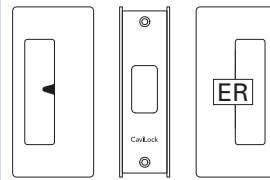
**Non-magnetic**



Passage handles are suitable for situations where locking or latching is not required. These handles do not have a striker or magnet.

### CL205 D - Privacy Snib/Emergency

**Magnetic Latch**

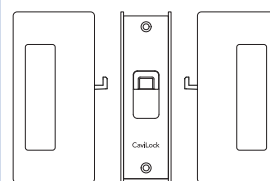


Privacy handles have a discreet triangular shaped snib button on one side and Emergency Release on the other side. They are suitable for sliding doors where latching is required.



### CL205 C - Bi-Parting Mate (to latch with Privacy)

**Magnetic Latch**



The Bi-Parting mate includes a striker on the face plate to enable it to magnetically latch with a privacy handle.

For Bi-Parting passage doors, order two single passage handles.

## Finish Options



Satin Chrome    Bright Chrome    Satin Nickel    Oil Rubbed Bronze    Matte Black

Non-standard finishes are available on request. Longer lead times and surcharges will apply.

Drawings & pictures are not to scale. Colors shown may not accurately represent product All dimensions in inches (and mm).

[www.cavitysliders.com](http://www.cavitysliders.com)

High quality products designed in New Zealand



T (888) 466 0030  
F (310) 769 5824  
E [info@cavitysliders.com](mailto:info@cavitysliders.com)

Cavity Sliders USA Inc.

548 Finney Ct  
Gardena  
CA 90248



**CavitySliders™**  
The Pocket Door Experts

# CL100 Lever

The **CaviLock® CL100 Lever** is the most common commercial side handle fitted to the **CL100 Mortise Lock**. It is robust and strong and has a commercial look that matches other commercial handles and locks in most applications. The vertical lever grip enables a positive pull action on even the heaviest doors.



*CaviLock CL100 Lever with Key on aluminum door.*

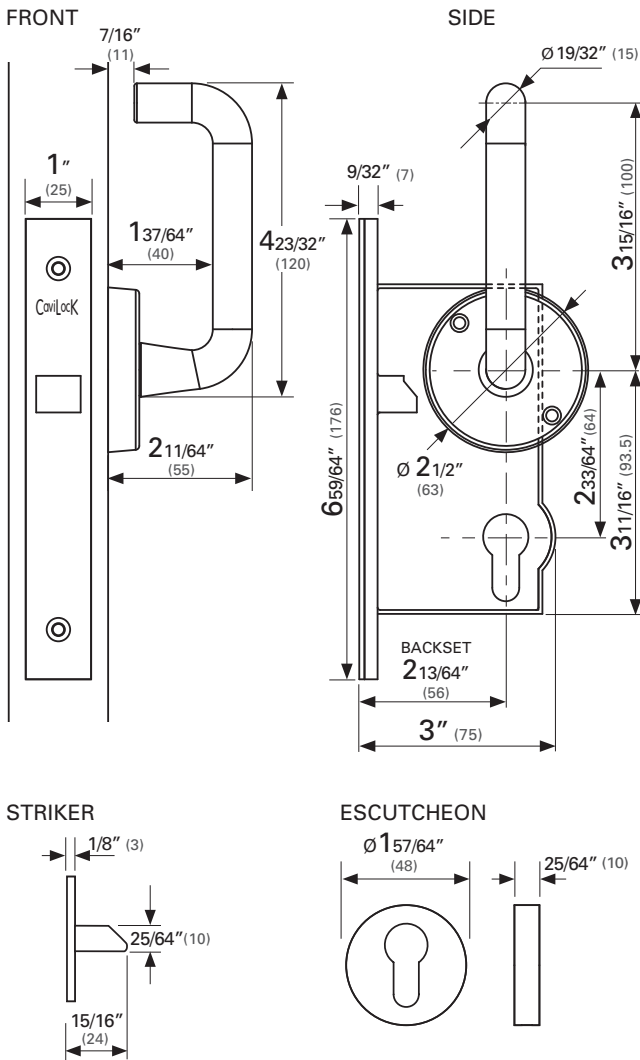


*CaviLock CL100 Lever with Key on timber door.*

 **CaviLock®**  
Quality Sliding Door Hardware

# CL100 Lever

## Dimensions



## Key Locking

Key locking may be added to the CL100 Mortise Lock with the addition of a Euro Profile cylinder with American Schlage C Keyway, specified as either KA (Keyed Alike) or KD (Keyed to Differ).

Options include:

- ▮ Turn/Emergency
- ▮ Turn/Key
- ▮ Key/Key
- ▮ Key One Side

Please note that this specification is suitable for 1-3/4" thick doors and must be done at time of order.



CL100 Lever (Key/Turn option).



## Construction

Case:	Die cast Zinc
Internal Parts:	Bronze/Brass
Screws, springs etc:	Stainless Steel
Faceplate & striker:	Brushed Stainless Steel

## Finish Options & Configurations

Available in Satin Chrome. Cylinders are not handed.

CL100A7002	Lever - Key/Key	
CL100A7010	Lever - Key/Turn	
CL100A7004	Lever - Key One Side	
CL100A7014	Lever - Turn/Emerg	
CL100B5002	Lever Only	

## CL100 Mortise Lock Features

The **CL100 Mortise Lock** is a versatile mortise that has many different internal and external hardware options.



- ▮ Suitable for pocket doors and surface sliding doors
- ▮ Easy to operate
- ▮ Corrosion resistant
- ▮ For use with timber or aluminum doors

Drawings & pictures are not to scale. All dimensions in inches (and mm).

[www.cavitysliders.com](http://www.cavitysliders.com)

High quality products designed in New Zealand



T (888) 466 0030  
F (310) 769 5824  
E [info@cavitysliders.com](mailto:info@cavitysliders.com)

Cavity Sliders USA Inc.

548 Finney Ct  
Gardena  
CA 90248



Another quality product from:

**CavitySliders**  
Quality Sliding Door Hardware

# CL100 FlushTurn

The **CaviLock® CL100 Flush Turn** is specifically designed for sliding doors. It incorporates machined brass components that are either polished or satin chrome plated depending on the finish required.

Because of its shallow fitting depth and positive feel to the turn, this is a popular side handle for both latching and non-latching applications.

When combined with the CL100 Mortise Lock and euro profile cylinder it makes for a great looking medium security option.

**Requires minimum door thickness of 1-1/2" (37mm).**



*CaviLock CL100 Flush Turn in Satin Chrome*



*CaviLock CL100 Flush Turn with Key in Satin Chrome*

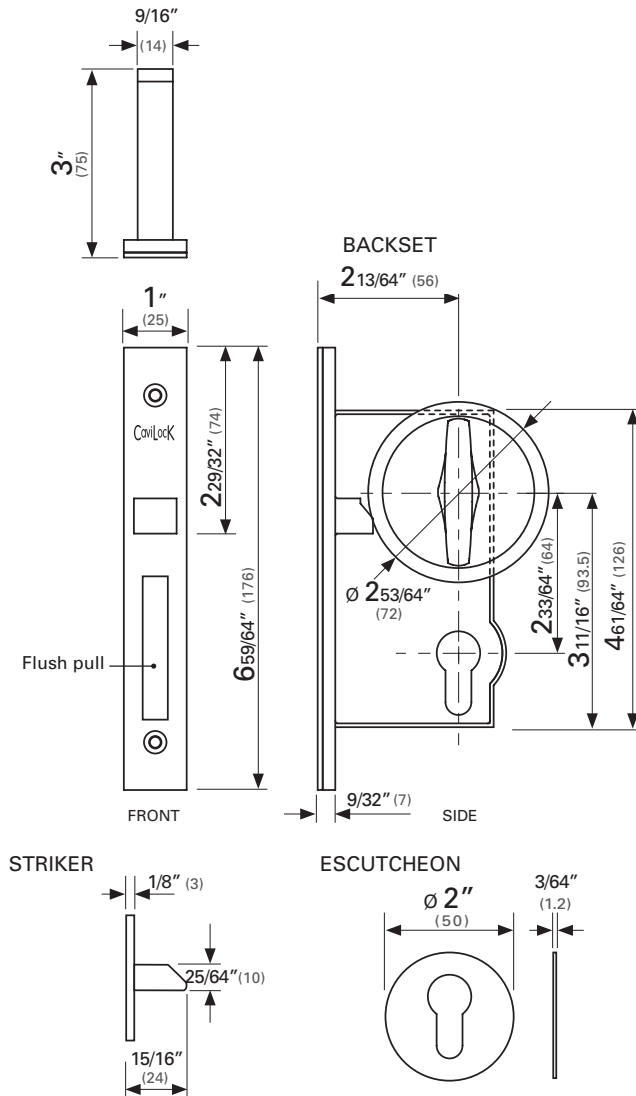
 **CaviLock®**

Quality Sliding Door Hardware



# CL100 FlushTurn

## Dimensions



## Flush Pulls

All CL100 Lock Cases come with the option of a built-in Flush Pull in either Stainless Steel or Brass. This Flush Pull is designed for use on doors which slide completely inside a wall.



CL100 Flush Turn and Flush Pull on aluminum door leaf.

## Key Locking

Key locking may be added to the CL100 Mortise Lock with the addition of a Euro Profile cylinder with American Schlage C Keyway, specified as either KA (Keyed Alike) or KD (Keyed to Differ).

Please note that this specification is suitable for 1-3/4" thick doors and must be done at time of order.



CL100 Flush Turn with key.

## Construction

Case:	Die cast Zinc
Internal Parts:	Bronze/Brass
Screws, springs etc:	Stainless Steel
Faceplate & striker:	Brushed Stainless Steel or Brass (depending on finish req.)

## Finish Options & Configurations

Available in Satin Chrome. Cylinders are not handed.

CL100A1004	Flush Turn - Key/Key	
CL100A1006	Flush Turn - Key One Side	
CL100A9004	Flush Turn only	

Drawings & pictures are not to scale. All dimensions in inches (and mm).

## CL100 Mortise Lock Features

The **CL100 Mortise Lock** is a versatile mortise that has many different internal and external hardware options.



- ▀ Suitable for pocket doors and surface sliding doors
- ▀ Easy to operate
- ▀ Corrosion resistant
- ▀ For use with timber or aluminum doors

[www.cavitysliders.com](http://www.cavitysliders.com)

High quality products designed in New Zealand



T (888) 466 0030  
F (310) 769 5824  
E [info@cavitysliders.com](mailto:info@cavitysliders.com)

Cavity Sliders USA Inc.

548 Finney Ct  
Gardena  
CA 90248



Another quality product from:

**CavitySliders**  
Quality Sliding Door Hardware

# Louey SideHandle

The **Louey** is a high quality side handle machined from brass, finished in either brushed chrome or oil rubbed bronze. The handle has four countersunk fixing points at its corners and a 3/8" deep recessed hand grip for a positive pull on even heavy doors.

## Timber EdgePull

The **Timber Edge Pull** is a high-quality front edge pull for timber doors, often used together with the Louey.



*CaviLock Louey handles on Bi-Parting pocket doors.*



*CaviLock Louey with Timber Edge Pull in Satin Chrome*

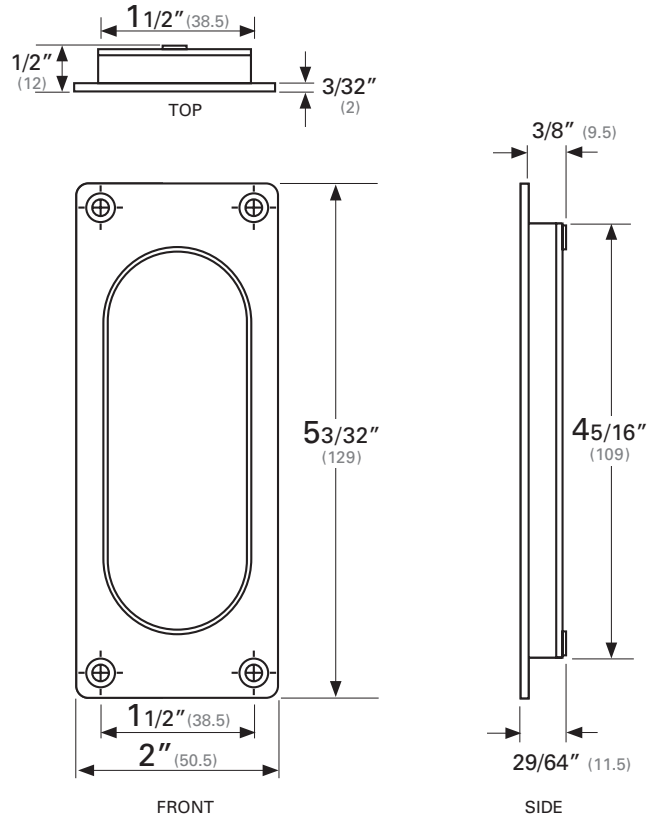
 **CaviLock**<sup>®</sup>  
Quality Sliding Door Hardware

# Louey SideHandle



Louey fitted to aluminum door.

## Dimensions



## Finish Options

▮ Satin Chrome  
CL100I3000

▮ Oil Rubbed Bronze  
CL100I3005

# Timber EdgePull

The **Timber Edge Pull** is a high-quality front edge pull for timber doors. The body is machined from solid brass and the pull is made from cast stainless steel. It is strong enough to provide a positive grip on even the heaviest doors.

Once installed, this edge pull sits virtually flush with the edge of the door and has no visible screw fixings.



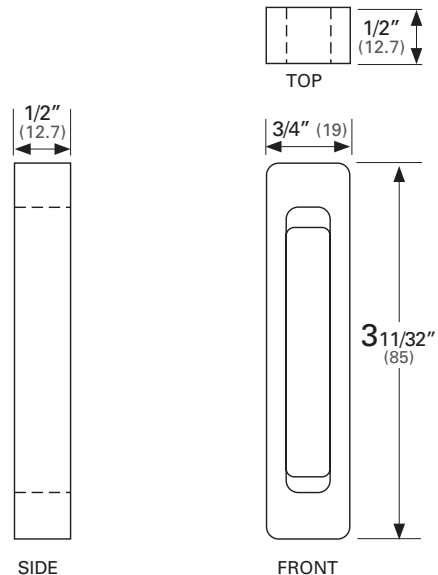
Timber Edge Pull in Satin Chrome

## Finish Options

▮ Satin Chrome  
CL800A4020

▮ Oil Rubbed Bronze  
CL800A4021

## Dimensions



Drawings & pictures are not to scale. All dimensions in inches (and mm).

© All copyright and other property in this document is reserved by Cavity Sliders USA Inc. Details and specifications are subject to change without notice. Whilst all care is taken to ensure the accuracy of all information, no responsibility will be accepted for any errors or omissions. © CAVILOCK is a Registered Trademark. CAVILOCK LOUEY™, CAVILOCK TIMBER EDGE PULL™ (O.D. 2005), 60141/2 - 03.2017

[www.cavitysliders.com](http://www.cavitysliders.com)

High quality products designed in New Zealand



T (888) 466 0030  
F (310) 769 5824  
E [info@cavitysliders.com](mailto:info@cavitysliders.com)

**Cavity Sliders USA Inc.**

548 Finney Ct  
Gardena  
CA 90248



Quality products from:

 **CavitySliders**  
Quality Sliding Door Hardware

# ADA Handle & Lock Product Range



## CL400<sup>®</sup> ADA Magnetic

A range of high quality passage and privacy hardware with offset pull handle. Suitable for single or double pocket doors.



## BarnDoorStrike

Enables the CL400 Magnetic range of sliding door hardware to be compatible for barn door applications.



## CL100 ADA LaviLock

Commercial grade disabled rest room access lock with privacy indication.



## CL100 ADA IndicatorLock

Commercial grade disabled access lock with privacy indication.



## CL100 ADA Lever

Commercial grade privacy or key lock with lever handle



## CL100 Lever

Commercial grade lever handle



# CL400<sup>®</sup> ADA Magnetic - Offset

The new **CL400<sup>®</sup> ADA Magnetic** matches the look and functionality of the existing CL400 Magnetic range of pocket door hardware, with added ADA functionality.

Utilizing the patented magnetic mechanism of the CL400 Magnetic, this new addition to the range provides flexibility for building owners. The CL400 ADA uses the same door cutout and striker and is able to be retrofitted over existing CL400 flush handles for the requirements of ADA tenants.

The CL400 ADA is compatible with egress applications.



**ADA**



*CL400 ADA Privacy Snib in satin nickel finish.*



*CaviLock CL400 ADA Privacy with Emergency Release*

 **CaviLock<sup>®</sup>**

Quality Sliding Door Hardware

# CL400<sup>®</sup> ADA Magnetic - Offset



In line with ADA Standards for Accessible Design, the CL400 ADA Magnetic has a handle that is easy to grasp with one hand and does not require tight grasping, tight pinching or twisting of the wrist.

The opening force required to operate the unit is 2.5lbf (11.1N), which is under the 5lbf threshold for ADA compliance.

## Finish Options



Satin Chrome    Chrome    Satin Nickel    Oil Rubbed Bronze

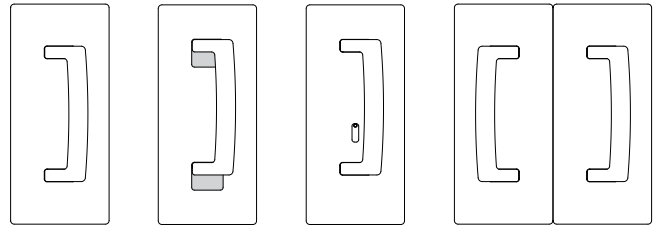
**Other finish options available on request.**

(Note: Longer lead times and additional surcharges may apply.)

## Design Features & Options

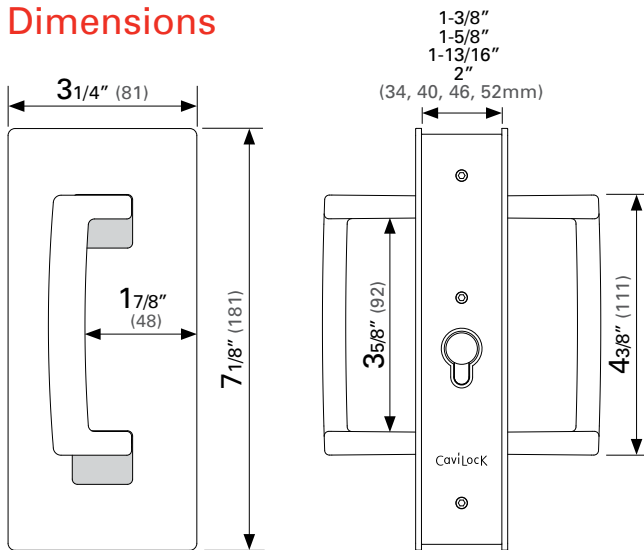
- Easy to use - no tight pinching or twisting of the wrist.
- Patented magnetic functionality.
- Striker sits flush with closing jamb.
- See at a glance whether a room is occupied.
- Matches other hardware in the CL400 range.

## Configuration Options

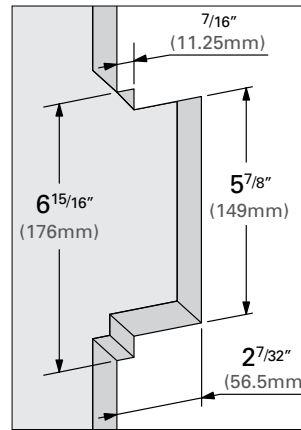


Passage    Privacy    Emergency Release    Bi-Parting (Passage or Privacy)

## Dimensions



## Door Cutout



**IMPORTANT:** Operable parts of hardware must be mounted 34" (865mm) min. and 48" (1220 mm) max. above finished floor to meet ADA guidelines.

The clear width of the door opening must be a minimum of 32". Always check State and Federal guidelines relating to the specific project.

**Selection Procedure** To order, ensure you have the following information ready:

Function	Finish	Door thickness	Handing Configuration												
Single Door	Satin Chrome	1-3/8" to 1-9/16"	Handing must be determined at time of manufacture and cannot be altered on site. Careful selection of handing options is required at time of order. See diagram for determining handing of functions.												
Bi-Parting Door	Satin Nickel	1-5/8" to 1-3/4"													
Passage (Non Latching)	Bright Chrome	1-13/16" to 2"	<table border="0"> <tr> <td>LH</td> <td>Blank</td> <td>RH</td> <td>Blank</td> </tr> <tr> <td></td> <td>Snib</td> <td></td> <td>Snib</td> </tr> <tr> <td></td> <td>Emerg.</td> <td></td> <td>Emerg.</td> </tr> </table>	LH	Blank	RH	Blank		Snib		Snib		Emerg.		Emerg.
LH	Blank	RH		Blank											
	Snib			Snib											
	Emerg.		Emerg.												
Passage (Mag Latching)	ORB	2-1/16" to 2-1/4"	Stand looking into the pocket as shown 												
Privacy Locking	Special Order														

Drawings & pictures are not to scale. Colors shown may not accurately represent product All dimensions in inches (and mm).

[www.cavitysliders.com](http://www.cavitysliders.com)

High quality products designed in New Zealand



T (888) 466 0030  
 F (310) 769 5824  
 E info@cavitysliders.com

**Cavity Sliders USA Inc.**

548 Finney Ct  
 Gardena  
 CA 90248



Another quality product from:

**CavitySliders**  
 Quality Sliding Door Hardware

# BarnDoorStrike

The **CaviLock Barn Door Strike** makes the CL400 Magnetic range of sliding door hardware compatible for barn door applications.

It is available for use with CL400 Magnetic Passage, Privacy and Key Locking configurations and CL400 ADA Passage and Privacy handles.



ADA



*CaviLock Barn Door Strike with CL400 ADA Magnetic handle.*



*CaviLock Barn Door Strike with CL400 Magnetic Privacy handle.*

 **CaviLock**<sup>®</sup>  
Quality Sliding Door Hardware

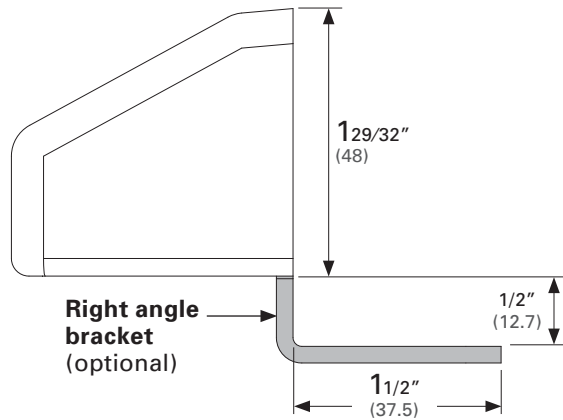
## Design Features & Options

- ▮ Suitable for doors 1-3/8" or 1-3/4" thick.
- ▮ ADA compliant with the use of the CL400 ADA handle.
- ▮ Easy to install.
- ▮ Available in a range of finishes.
- ▮ Suitable for use with CL400 Passage, Privacy and Key Locking handles.

## Dimensions

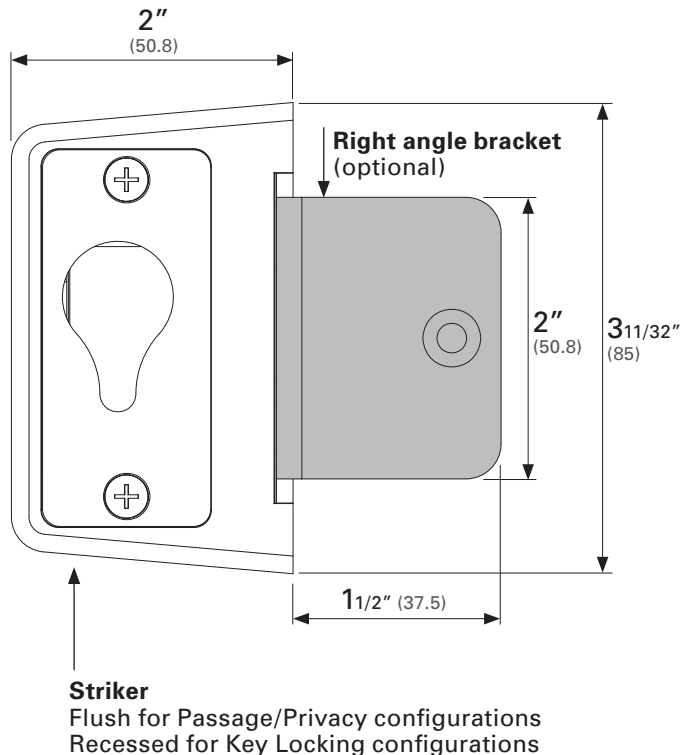
A hidden bracket is supplied as standard.

A right angle bracket can be ordered where additional fixing strength is required, e.g. heavy commercial use.



## Product Codes & Finish Options

	Finish	Barn Door Strike	Right Angle Bracket
	Bright Chrome	CL400SA0025	CL400BA0025
	Satin Chrome	CL400SA0125	CL400BA0125
	Oil Rubbed Bronze	CL400SA0225	CL400BA0225
	Satin Nickel	CL400SA0325	CL400BA0325
	Matte Black	CL400SA0425	CL400BA0425
	Paint Primed White	CL400SA0725	CL400BA0725



Drawings & pictures are not to scale. Colors shown may not accurately represent product All dimensions in inches (and mm).

[www.cavitysliders.com](http://www.cavitysliders.com)

High quality products designed in New Zealand



T (888) 466 0030  
F (310) 769 5824  
E [info@cavitysliders.com](mailto:info@cavitysliders.com)

**Cavity Sliders USA Inc.**

548 Finney Ct  
Gardena  
CA 90248



Another quality product from:

 **CavitySliders**  
Quality Sliding Door Hardware



# CL100 ADA LaviLock

The **CL100 ADA LaviLock** is a disabled access lockset designed with ease of use and longevity of service in mind. Brass and stainless steel working components ensure reliability.

The LaviLock is self-latching and utilizes 'fail safe' single action egress functionality.

The Indicator Lock is supplied as a complete set including CL100 Mortise Lock Case, Lever Handles, Stainless Steel Indication Plates and Slide Locking Buttons including Emergency Release.



ADA



*CaviLock CL100 LaviLock in Satin Chrome fitted to door mounted on CS WallMount Track*



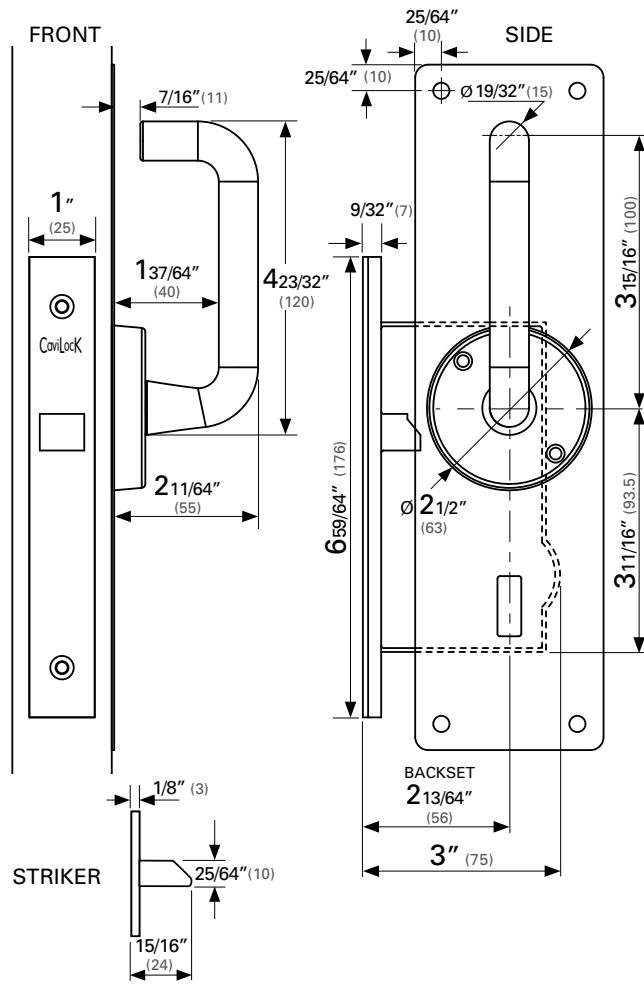
*'Vacant/In Use' indicator plate with Emergency Release on outside door face.*

*Easy to use 'Unlock/Lock' lever on inside door face.*

 **CaviLock**<sup>®</sup>

Quality Sliding Door Hardware

## Dimensions

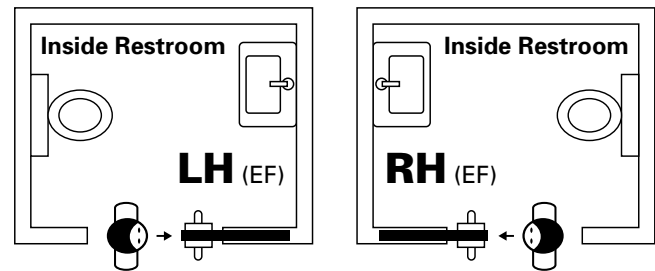


In line with ADA Standards for Accessible Design, the CL100 LaviLock has a lever that is easy to grasp with one hand and does not require tight grasping, tight pinching or twisting of the wrist. The opening force required to operate the unit is less than 5 lbf (22.2N), which is under the threshold for ADA compliance.

**IMPORTANT:** Operable parts of hardware must be mounted 34" (865mm) min. and 48" (1220 mm) max. above finished floor to meet ADA guidelines. The clear width of the door opening must be a minimum of 32". Always check State and Federal guidelines relating to the specific project.

## Handing

The CL100 LaviLock is handed and handing must be specified at time of order.



When standing looking into the pocket, if the locking snib is on your **left hand** side then the LaviLock is a Left Hand lock.

When standing looking into the pocket, if the locking snib is on your **right hand** side then the LaviLock is a Right Hand lock.

**EF = Egress Free** - Even when in locked position the handle on the **inside** remains unlocked.

## Construction

Case:	Die cast Zinc
Internal Parts:	Bronze/Brass
Screws, springs etc:	Stainless Steel
Faceplate & striker:	Brushed Stainless Steel

## Finish Options & Configurations

Available in Satin Chrome. The CL100 ADA LaviLock is handed. Please check the Handing diagram above before ordering.

CL100B3008	ADA LaviLock - Right Hand
CL100B3010	ADA LaviLock - Left Hand

If LaviLock is to be installed into areas where there is exposure to corrosive environments, e.g. high chlorine or salt concentration, contact us for an appropriate solution.

Drawings & pictures are not to scale. All dimensions in inches (and mm).

## CL100 Mortise Lock Features

The **CL100 Mortise Lock** is a versatile mortise that has many different internal and external hardware options. The internal components have been built to resist corrosion, making it suitable for both internal and external use in commercial, architectural and residential applications.



- ▀ Slimline mortise is compatible with doors 1-3/8" or thicker.
- ▀ Suitable for pocket doors and surface sliding doors
- ▀ Easy to operate
- ▀ Corrosion resistant
- ▀ For use with timber or aluminum doors

# CL100 ADA Indicator Lock

The **CL100 ADA Indicator Lock** is a disabled access lockset designed with ease of use and longevity of service in mind. Brass and stainless steel working components ensure reliability.

The Indicator Lock is self-latching and utilizes 'fail safe' single action egress functionality.

The Indicator Lock is supplied as a complete set including CL100 Mortise Lock Case, Lever Handles, Stainless Steel Indication Plates and Slide Locking Buttons including Emergency Release.



**ADA**



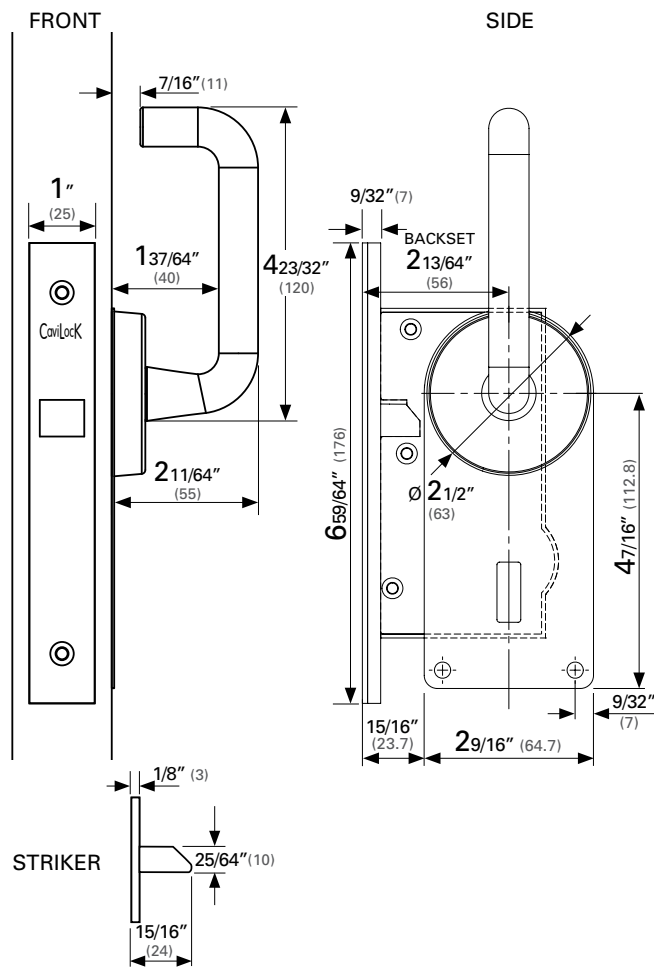
*CaviLock CL100 ADA Indicator Lock - Inside door face*



*CaviLock CL100 ADA Indicator Lock - Outside door face*

 **CaviLock**<sup>®</sup>  
Quality Sliding Door Hardware

## Dimensions

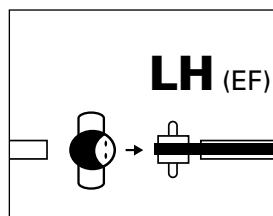


In line with ADA Standards for Accessible Design, the CL100 Indicator Lock has a lever that is easy to grasp with one hand and does not require tight grasping, tight pinching or twisting of the wrist. The opening force required to operate the unit is less than 5lbf (22.2N), which is under the threshold for ADA compliance.

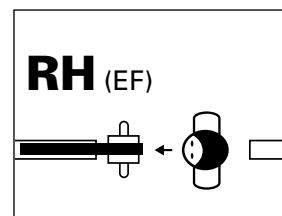
**IMPORTANT:** Operable parts of hardware must be mounted 34" (865mm) min. and 48" (1220 mm) max. above finished floor to meet ADA guidelines. The clear width of the door opening must be a minimum of 32". Always check State and Federal guidelines relating to the specific project.

## Handing

The CL100 Indicator Lock is handed and handing must be specified at time of order.



When standing looking into the pocket, if the locking snib is on your **left hand** side then the **Indicator Lock** is a Left Hand lock.



When standing looking into the pocket, if the locking snib is on your **right hand** side then the **Indicator Lock** is a Right Hand lock.

**EF** = Egress Free - Even when in locked position the handle on the **inside** remains unlocked.

## Construction

Case:	Die cast Zinc
Internal Parts:	Bronze/Brass
Screws, springs etc:	Stainless Steel
Faceplate & striker:	Brushed Stainless Steel

## Finish Options & Configurations

Available in Satin Chrome. The CL100 ADA Indicator Lock is handed. Please check the Handing diagram above before ordering.

CL100B3015	ADA Indicator Lock - Right Hand
CL100B3016	ADA Indicator Lock - Left Hand

If Indicator Lock is to be installed into areas where there is exposure to corrosive environments, e.g. high chlorine or salt concentration, contact us for an appropriate solution.

Drawings & pictures are not to scale. All dimensions in inches (and mm).

## CL100 Mortise Lock Features

The **CL100 Mortise Lock** is a versatile mortise that has many different internal and external hardware options. The internal components have been built to resist corrosion, making it suitable for both internal and external use in commercial, architectural and residential applications.



- ▀ Slimline mortise is compatible with doors 1-3/8" or thicker.
- ▀ Suitable for pocket doors and surface sliding doors
- ▀ Easy to operate
- ▀ Corrosion resistant
- ▀ For use with wooden or aluminum doors

[www.cavitysliders.com](http://www.cavitysliders.com)

High quality products designed in New Zealand



T (888) 466 0030  
F (310) 769 5824  
E [info@cavitysliders.com](mailto:info@cavitysliders.com)

**Cavity Sliders USA Inc.**

548 Finney Ct  
Gardena  
CA 90248



Another quality product from:

 **CavitySliders**  
Quality Sliding Door Hardware

# CL100 ADA Lever

The CaviLock® CL100 ADA Lever is a disabled access lockset designed with ease of use and longevity of service in mind. Brass and stainless steel working components ensure reliability.

The privacy turn has been designed in accordance with ADA Accessibility Guidelines for Buildings and Facilities and **is easily operable without pinching, grasping or twisting of the wrist.**

The vertical lever grip enables a positive pull action on even the heaviest doors.



ADA



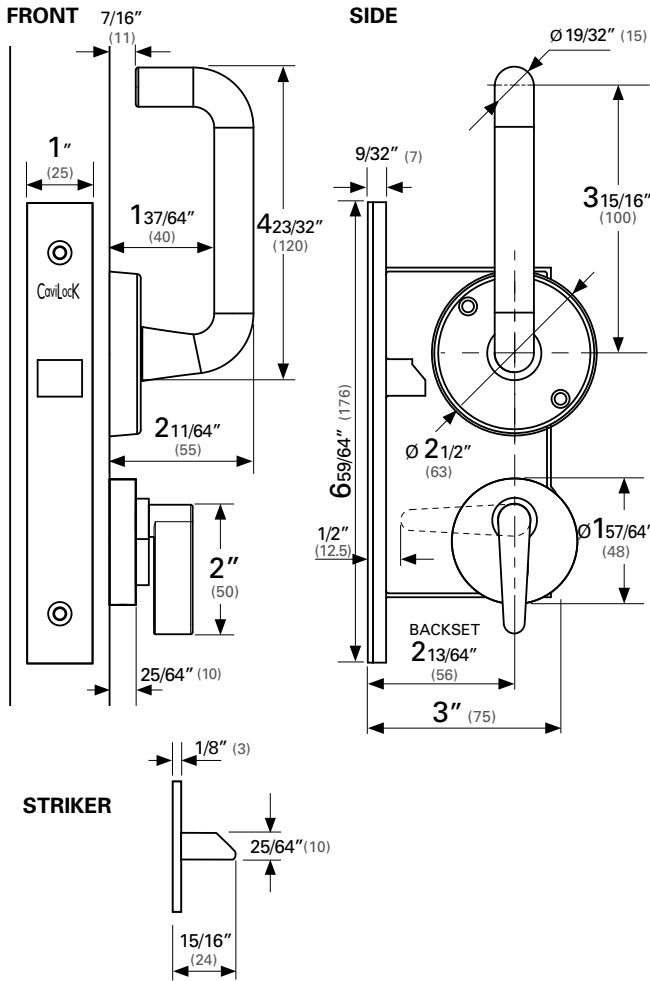
*CaviLock CL100 ADA Lever fitted to aluminum door.*



*CaviLock CL100 ADA Lever on timber door.*

 **CaviLock®**  
Quality Sliding Door Hardware

## Dimensions



In line with ADA Standards for Accessible Design, the CL100 ADA Lever handle is easy to grasp with one hand and does not require tight grasping, tight pinching or twisting of the wrist. The opening force required to operate the unit is less than 5lbf (22.2N), which is under the threshold for ADA compliance.

**IMPORTANT:** Operable parts of hardware must be mounted 34" (865mm) min. and 48" (1220 mm) max. above finished floor to meet ADA guidelines. The clear width of the door opening must be a minimum of 32". Always check State and Federal guidelines relating to the specific project.



CaviLock CL100 ADA Lever Turn/Key option

## Key Locking

The CL100 ADA Lever includes a Euro Profile cylinder with American Schlage C Keyway, specified as either KA (Keyed Alike) or KD (Keyed to Differ). It is most suitable for 1-3/4" thick doors.

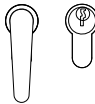
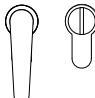


## Construction

Case:	Die cast Zinc
Internal Parts:	Bronze/Brass
Screws, springs etc:	Stainless Steel
Faceplate & striker:	Brushed Stainless Steel

## Finish Options & Configurations

Available in Satin Chrome. Cylinders are not handed.

CL100A7018	Lever - ADA Turn / Key	
CL100A7020	Lever - ADA Turn / Emergency	

Drawings & pictures are not to scale. All dimensions in inches (and mm).

## CL100 Mortise Lock Features

The **CL100 Mortise Lock** is a versatile mortise that has many different internal and external hardware options.



- ▀ Suitable for pocket doors and surface sliding doors
- ▀ Easy to operate
- ▀ Corrosion resistant
- ▀ For use with timber or aluminum doors

[www.cavitysliders.com](http://www.cavitysliders.com)

High quality products designed in New Zealand



T (888) 466 0030  
F (310) 769 5824  
E [info@cavitysliders.com](mailto:info@cavitysliders.com)

Cavity Sliders USA Inc.

548 Finney Ct  
Gardena  
CA 90248



Another quality product from:

 **CavitySliders**  
Quality Sliding Door Hardware

# AutoCav™ Selection Chart

Features	Residential	Commercial
3½ or 3 <sup>5</sup> / <sub>8</sub> " framing (90mm)	✓	✓
Maximum door size	48" W x 96" H 1220 x 2440mm	168" W x 108" H 4270 x 2740mm
Maximum door weight - Single	220 lb 100kg	440 lb 200kg
Maximum door weight - Bi-Parting	130 lb 60kg	285 lb 130kg
Low security lock	Optional extra	
High security lock		✓
Fire inputs		✓
Security system inputs	✓	✓
Opening speed	16" - 20"/sec 400 - 500 mm/sec	1" - 23"/sec 20 - 600 mm/sec
Closing speed	4" - 20"/sec 100 - 500 mm/sec	1" - 23"/sec 20 - 600 mm/sec
Variable speed control		✓
Force to open	✓	✓
Hold open configurable		✓
Partial open		✓
Fault monitoring		✓
Online commissioning		✓
4 inputs (2x activation, 2x lock)	✓	
6 inputs		✓
Home automation integration	✓	✓
UPS/Battery backup		✓
Safety Beams	✓	✓
<b>Activation</b>		
PDL switch	✓	✓
Overhead sensor	✓	✓
Multiple activation switches		✓
Configurable multi function button		✓
Secure mode programmable		✓
Wiring for PLC - Customer supplied activation	✓	✓

[www.cavitysliders.com](http://www.cavitysliders.com)

High quality  
products designed  
in New Zealand



T (888) 466 0030  
F (310) 769 5824  
E [info@cavitysliders.com](mailto:info@cavitysliders.com)

**Cavity Sliders USA Inc.**

548 Finney Ct  
Gardena  
CA 90248



 **CavitySliders™**  
The Pocket Door Experts

# AutoCav™ Commercial

The **CS AutoCav Commercial** has been developed to provide a high quality automated pocket door for almost any situation. The CS AutoCav suits, commercial, architectural and healthcare projects.

A number of operating devices are compatible with this system. Installation instructions and comprehensive support are provided. Future servicing (if required) is made easy via the supplied track access panel.



*CS AutoCav 120 FramelessGlass pocket door with secure entry.*

High quality components have been designed for all parts of the system. This ensures reduced servicing intervals and product longevity. CS can supply a complete system including design and manufacture.

*CS AutoCav 90 with aluminum door.*

 AutomaticUnits



## Features

- ▮ Self-tensioning pulley and heavy duty belt ensure years of service without the need to tighten any belts.
- ▮ Heavy duty, one piece extruded aluminium track.
- ▮ Carriages with nylon wheels and enclosed bearing races for smooth, maintenance-free operation.
- ▮ Removable access panel ensures access to the track section is always possible.
- ▮ Safety beam sensors provide obstacle detection through the opening if required.
- ▮ Fully programmable controller with many standard operating modes. Includes built in safety beam controller, object detection and smart learning modes.
- ▮ Precision cut metal gears and oil filled gearbox for reliability and strength. Motor locks doors in place without the need for solenoid or magnetic locking devices.
- ▮ Quality components have been designed for all parts of the system, ensuring reduced servicing intervals and product longevity.
- ▮ No visible floor track.



## Access Control Options

A variety of access control options are available, from simple push button or overhead sensor to secure entry via touch pad, swipe key or a combination of methods.



## Design Features & Options

- ▮ Interface capable - can be wired to an overriding PLC or to work in conjunction with fire alarms and security.
- ▮ In the event of power failure, the door can be manually opened or a battery backup can be supplied.
- ▮ Compatible with most control switching devices.
- ▮ Safety features include electronic obstacle detection and auto-reversing of the door upon meeting an obstruction.

## Suitable Door Types

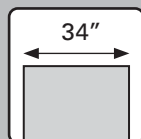
Can be specified with almost any choice of door, including our **CS DoorLeaves** range.

Minimum door width is 860mm (34").

*AutoCav with NewYorker door*



Max. Weight  
200kg



Min. Width  
860mm



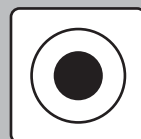
Fully  
Programmable



Operating  
Devices



Locking  
(optional)



Safety  
Beams



Speed  
Adjustment

[www.cavitysliders.com](http://www.cavitysliders.com)

High quality  
products designed  
in New Zealand



T (888) 466 0030  
F (310) 769 5824  
E [info@cavitysliders.com](mailto:info@cavitysliders.com)

**Cavity Sliders USA Inc.**

548 Finney Ct  
Gardena  
CA 90248



**CavitySliders™**  
The Pocket Door Experts

# AutoCav™ Residential

The CS AutoCav Residential is a completely automated pocket door system featuring a plug & play design that is easy to install and use. It is suitable for numerous different door styles and the unit is pre-commissioned on manufacture so that it can be plugged in and work straight away as soon as it is installed.

Suitable for high use areas such as butler's pantries and internal access to garage or anywhere you want to make a statement. Competitive pricing makes this a cost effective solution for residential projects where automatic sliding doors are required.



*CS AutoCav Residential pocket door.*



*CS AutoCav Residential with CS NewYorker door.*

High quality components have been designed for all parts of the system. This ensures reduced servicing intervals and product longevity.

 AutomaticUnits

## Features

- ▮ Heavy duty, one piece extruded aluminium track.
- ▮ Carriages with nylon wheels and enclosed bearing races for smooth, maintenance-free operation.
- ▮ Quality components have been designed for all parts of the system, ensuring reduced servicing intervals and product longevity.
- ▮ Easy setup with simple plug & play design.
- ▮ Removable access panel ensures access to the track section is always possible.
- ▮ No visible floor track.
- ▮ Safety beam sensors provide obstacle detection through the opening if required.
- ▮ Locking device (optional) where low security lock is required.



## Access Control Options

Units are supplied with standard PDL switches or upgrade to overhead sensor.

In the event of power failure, the door can be manually opened.



Standard PDL switches



Overhead sensor

## Suitable Door Types

Can be specified with almost any choice of door, including our **CS NewYorker**.

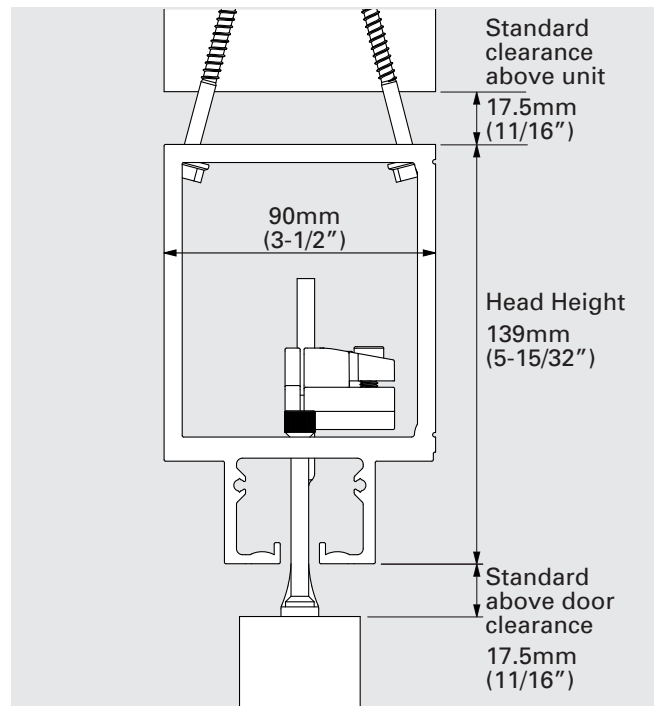
Minimum door width is 30" (760mm).



4-Lite CS NewYorker door

## Fixing Detail

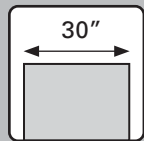
### Top Mount Head Only Option



All copyright and other property in this document is reserved by Cavity Sliders USA Inc. Details and specifications are subject to change without notice. Whilst all care is taken to ensure the accuracy of all information, no responsibility will be accepted for any errors or omissions. © Cavity Sliders USA Inc. CS AutoCav™ Residential (O.D. 1988). 61367 - 04.2020



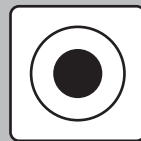
Max. Weight  
100kg



Min. Width  
760mm



Plug  
& Play



Safety  
Beams



Locking  
(optional)



Speed  
Adjustment

[www.cavitysliders.com](http://www.cavitysliders.com)

High quality  
products designed  
in New Zealand



T (888) 466 0030  
F (310) 769 5824  
E [info@cavitysliders.com](mailto:info@cavitysliders.com)

Cavity Sliders USA Inc.

548 Finney Ct  
Gardena  
CA 90248



**CavitySliders™**  
The Pocket Door Experts